



**SAVAGE
BROS. CO.**
S I N C E 1 8 5 5

1125 Lunt Avenue
Elk Grove Village, IL 60007-5023 USA



Phone: 847-981-3000
USA Fax: 800-2-SAVAGE
World Fax: +847-981-3010

E-mail: info@savagebros.com
Web: www.savagebros.com

A 21st Century Company . . . with 19th Century Craftsmanship

More than a CREAM BEATER . . .

. . . the **NEW W.C. Smith Cream Beater** is a superior final processor to create the smoothest and finest quality creams.

Only cooked creams can meet today's more rigid sanitary requirements. But cooking is only the beginning of a fine cream. It must be cooled and beat just right to produce the fine round crystals that make the cream feel so smooth to the human palate.



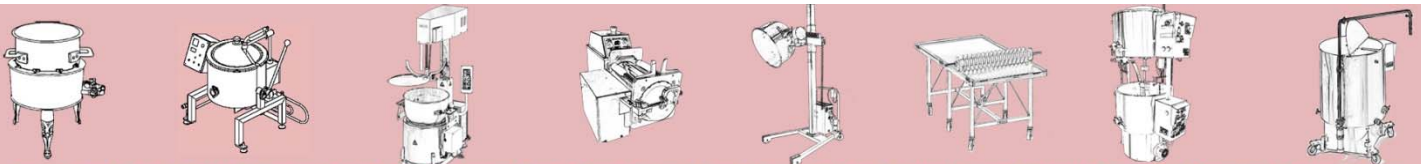
FEATURES

- All stainless steel construction
- Wash-down construction with sealed drive motor and transmission
- Brass beater plows on stainless steel arms
- 3 beater speeds
- Water jacketed bed with hot and cold water inlets
- Bed drain
- Controlled water cooling cycle with temperature sensors in the water jacket and against bed plate
- PLC Touch-Screen Control with alarm available as Option
- Bump-Guard beater safety stop
- 240VAC 1 Phase or 240/380/480VAC 3 Phase 50/60 Hz

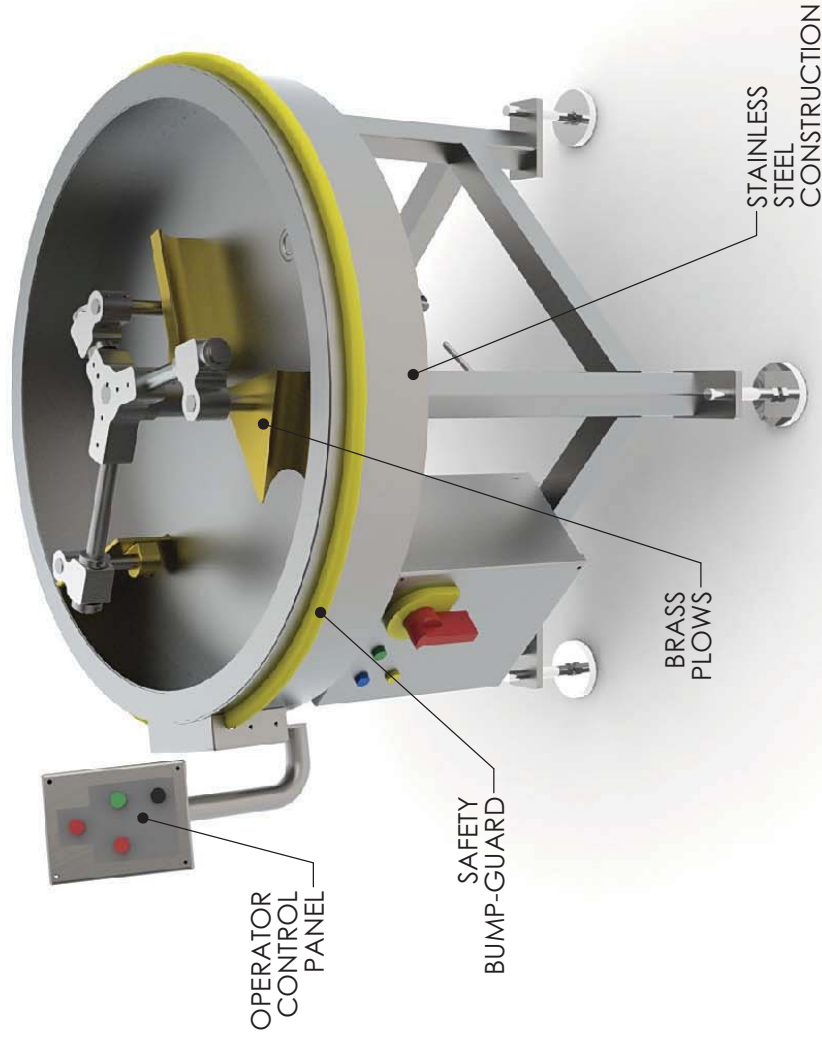
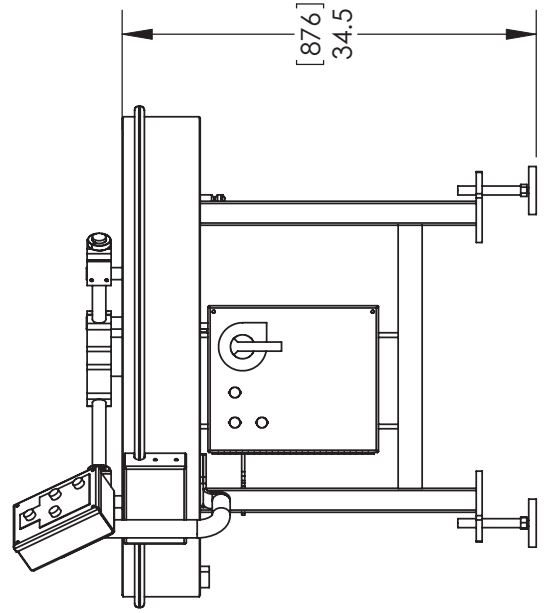
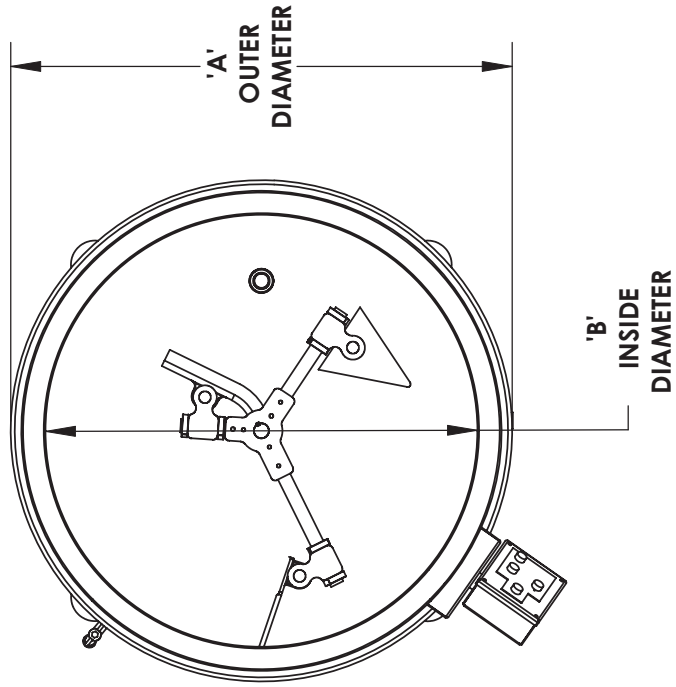
Model	Bed Diameter		Batch Size	
	Inches	MM	LB	KG
5336	36"	900mm	50 lb	25 kg
5348	48"	1200mm	80 lb	35 kg
5360	60"	1500mm	110 lb	50 kg

Batch capacities will vary depending on product and operating conditions.

This NEW Cream Beater beats and cools the cream quickly and evenly, in one operation, requiring virtually no operator attention. Each batch is processed with consistency, resulting in a fine, smooth textured fondant.



Gas & Electric Stoves ♦ Copper & Stainless Kettles ♦ FfeMixer Cooker-Mixers ♦ Carousel Line ♦ Bowl & Kettle Lift/Trucks ♦ Cooling Tables ♦ Chocolate Tempering ♦ Depositing & Transfer Systems



MODEL	CREAM BEATER SIZE	OUTER DIAMETER 'A'	INNER DIAMETER 'B'
5336	36"	41.8 [1061]	36.0 [914]
5348	48"	53.8 [1367]	48.0 [1219]
5360	60"	65.8 [1671]	60.0 [1524]

DO NOT SCALE DRAWING

QUOTATION

FOR QUOTATIONAL PURPOSES ONLY

ALL DESIGNS SUBJECT TO FINAL APPROVAL BEFORE MANUFACTURE

DIMENSIONS SHOWN ARE [MILLIMETERS] INCHES



SAVAGE BROS. CO.
 1125 W. Lunt Ave
 Elk Grove Village, IL 60007 U.S.A.
 Phone: (847) 981 - 3000
 USA Fax: (800) 2 - SAVAGE
 World Fax: (847) 981 - 3010

WC SMITH CREAM BEATER
 OVERALL DIMENSIONS

DWG. NUM. 5336 - 5348 - 5360

DRAWN BY MP

DATE

10-06-09

SCALE

SCALE: 1:16

SHEET

1 OF 1