



**SAVAGE  
BROS. CO.**  
S I N C E 1 8 5 5

1125 Lunt Avenue  
Elk Grove Village, IL 60007-5023 USA



Phone: 847-981-3000  
USA Fax: 800-2-SAVAGE  
World Fax: +847-981-3010

E-mail: info@savagebros.com  
Web: www.savagebros.com

*A 21<sup>st</sup> Century Company . . . with 19<sup>th</sup> Century Craftsmanship*

# CHOCOLATE MOLDING WORKSTATION

**Temperer, Depositor and Vibrating Table  
in single compact unit**

**All functions under  
PLC Touch-Screen Control!**

## FEATURES

- Fully Automatic Stainless Steel Chocolate Tempering Tank – ability to maintain temper for 6 hours or more
- Adjustable Volume Depositing Pump – up to 10-1/2 ounces / 300 grams per deposit stroke with easy PLC touch-screen volume adjustment.
- Vibrating work surface and heated molding grate with excess chocolate return to tank
- Water-jacketed depositing pipe to nozzle to maintain perfect temper from tank to mold
- Multi-nozzle depositing heads available to fit your molds – easy no-tool changeover
- All functions of tank, pump and vibration under PLC Touch-Screen Control – visually easy for operator to mold in perfect temper

## MODELS

- 125LB / 55KG or 200LB / 90KG tempering tanks
- 110V or 220V 50/60 Hz
- Requires connection to water and drain (sink) and source of compressed air



Vibrating work surface

Center molding grate is heated with excess chocolate return to tank



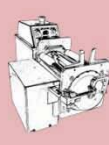
Water-jacketed depositing nozzle & pipe

Adjustable stroke volume depositing pump  
PLC Touch-Screen Control of all functions

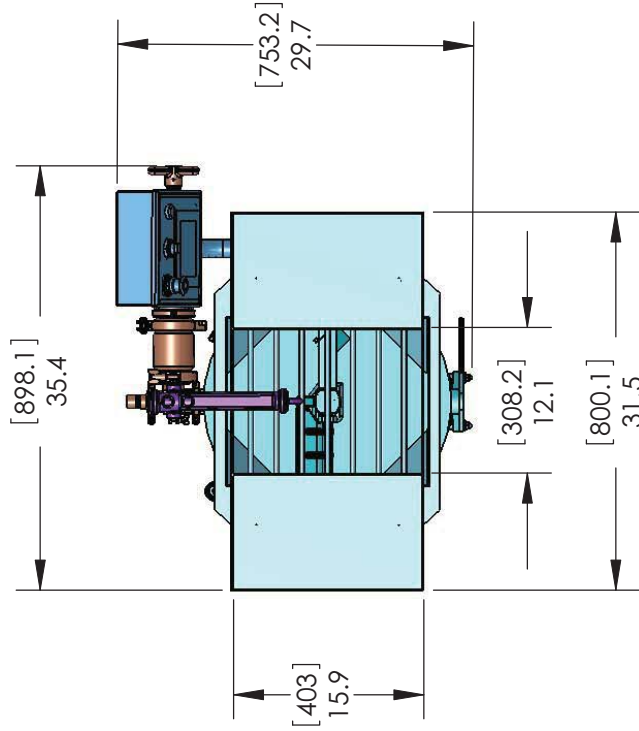


Handy cover over center molding section for idle periods

Entire work platform is easily removed from tank for cleaning



Gas & Electric Stoves ♦ Copper & Stainless Kettles ♦ Fire Maker Cooker-Mixers ♦ Carousel Line ♦ Bowl & Kettle Lift/Trucks ♦ Cooling Tables ♦ Chocolate Tempering ♦ Depositing & Transfer Systems

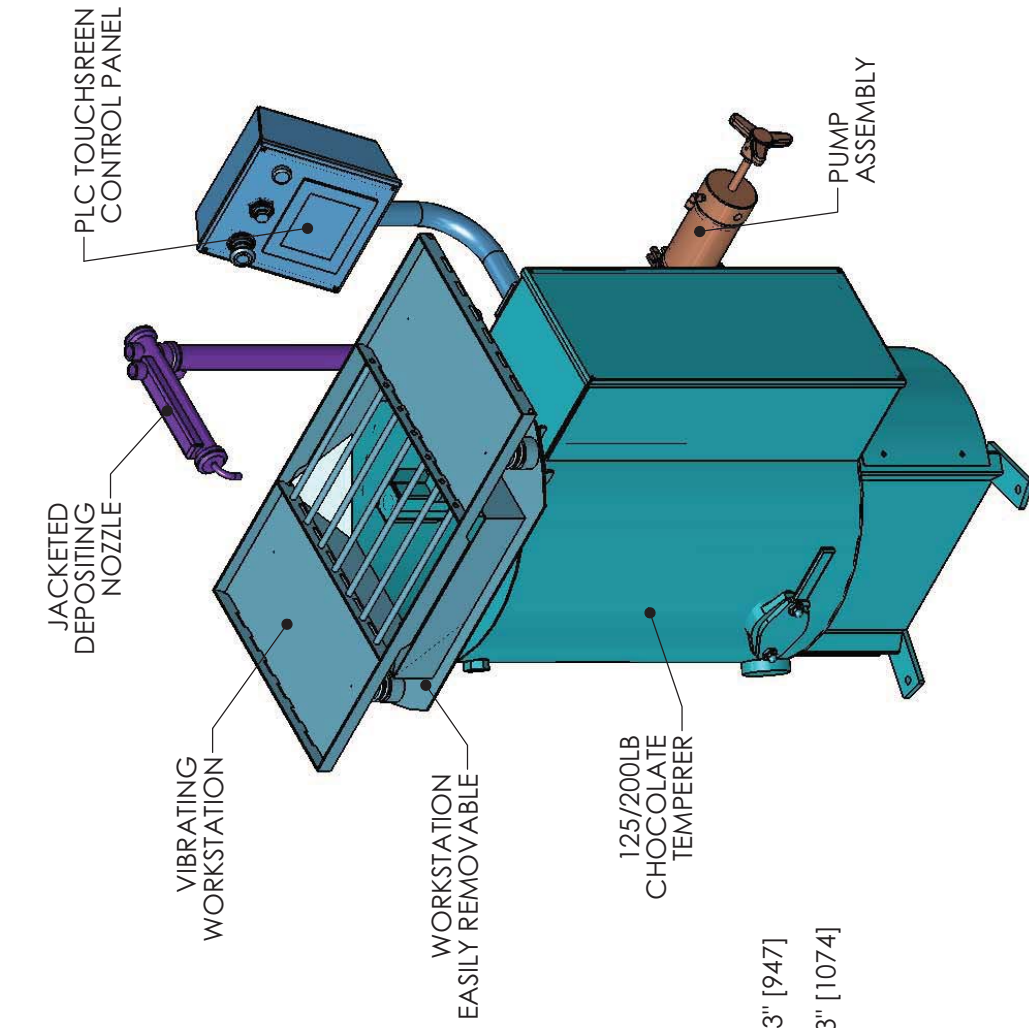


**'A'**

125LB = 37.3" [947]

200LB = 42.3" [1074]

UNITS: [MILLIMETERS]  
INCHES



**QUOTATION**  
FOR QUOTATIONAL PURPOSES ONLY  
ALL DESIGNS SUBJECT TO FINAL APPROVAL BEFORE MANUFACTURE  
UNLESS OTHERWISE SPECIFIED ALL DIMENSIONS ARE INCHES

DO NOT SCALE DRAWING



**Savage Bros. Co.**  
1125 W. Lunt Ave  
Elk Grove Village, IL 60007 U.S.A.  
Phone: (847) 981 - 3000  
USA Fax: (800) 2 - SAVAGE  
World Fax: (847) 981 - 3010

125/200LB CHOCOLATE TEMPERER  
(CONTINUOUS) WITH WORKSTATION

DWG. NUM. SD-MOULDING\_WORKSTATION

DRAWN BY

MP

DATE 02-13-09

SCALE

SCALE: 1:16

SHEET

1 OF 1