



SAVAGE
BROS. CO.
 SINCE 1855

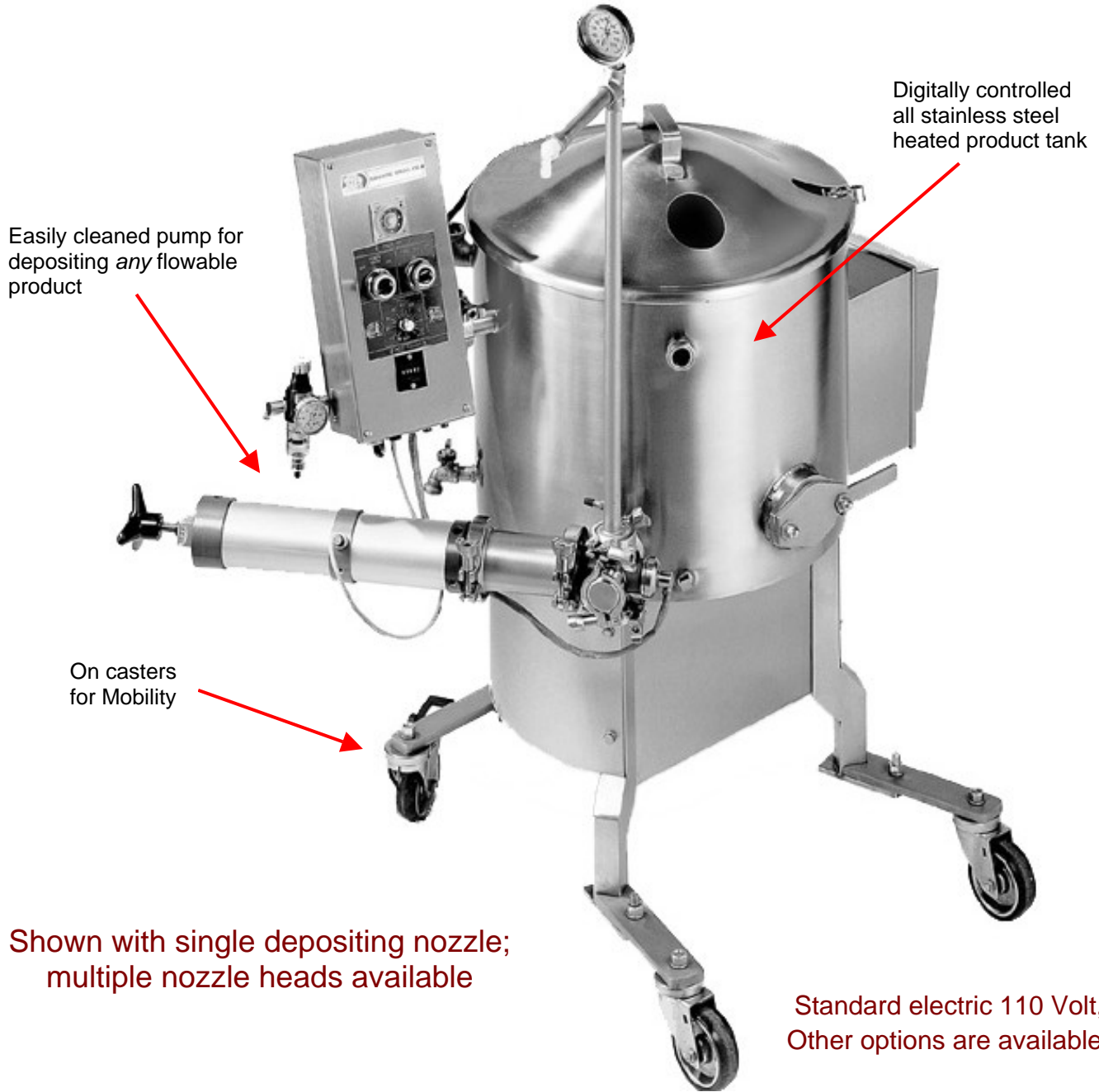
A 21st Century Company . . . with 19th Century Craftsmanship

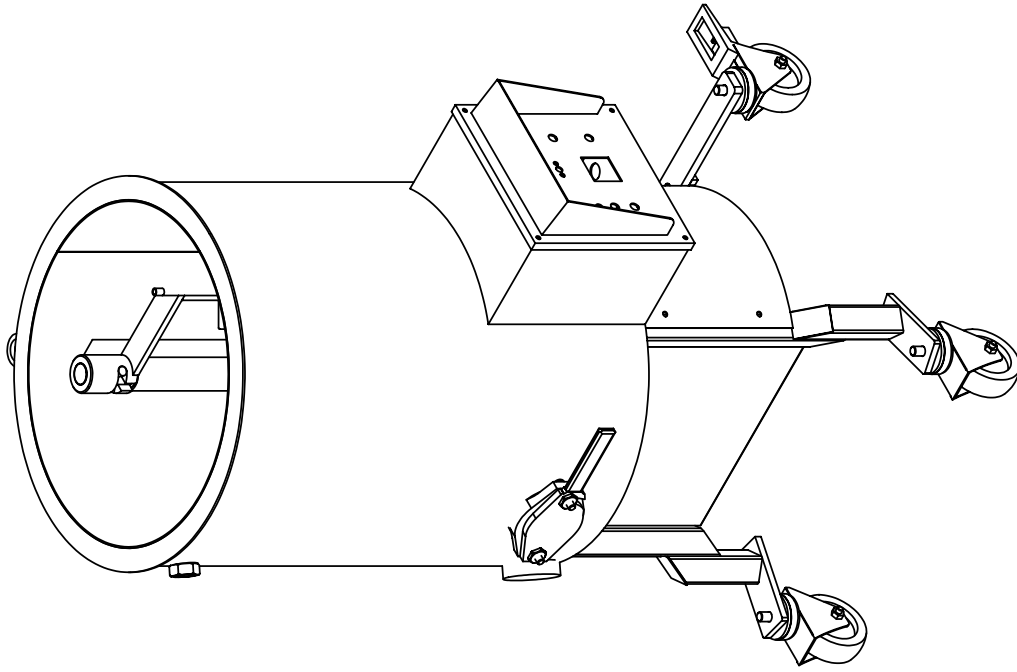
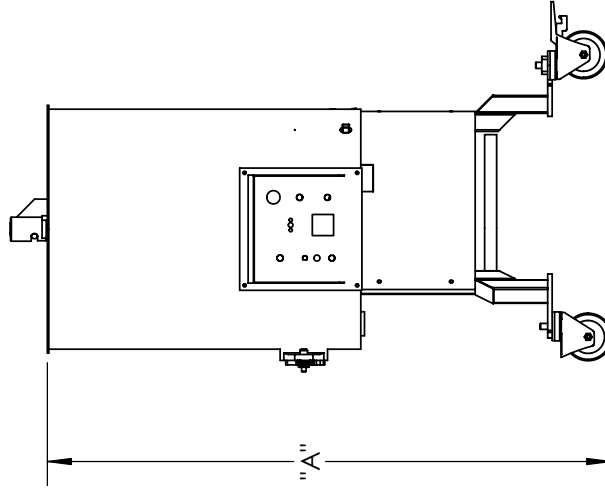
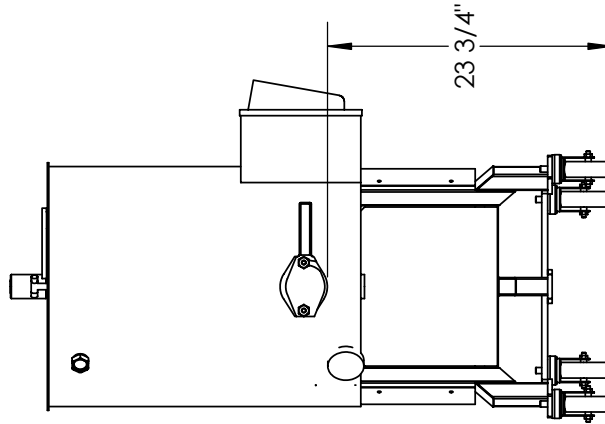
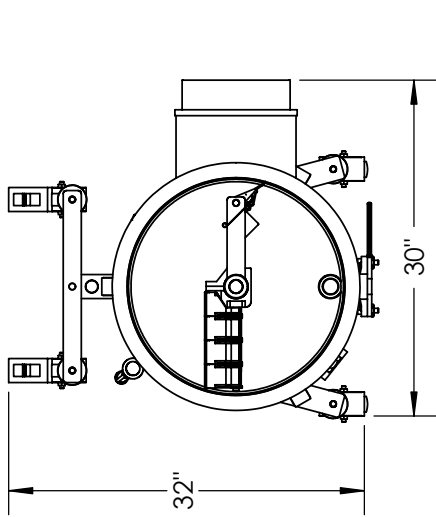
1125 Lunt Avenue
 Elk Grove Village, IL 60007-5023 USA

Phone: 847-981-3000
 USA Fax: 800-2-SAVAGE
 World Fax: + 847-981-3010
 E-mail: info@savagebros.com
 Web: www.savagebros.com

From the folks at SAVAGE . . .

125 LB DEPOSITOR





MAT.
AS PER PART
FIN. -

"A"

125LB UNIT - 38"
200LB UNIT - 47"

UNLESS OTHERWISE SPECIFIED
ALL DIMENSIONS ARE INCHES
TOLLERANCES ARE
X = ±.03
.XX = ±.01
.XXX = ±.005
ANGLES = ±0.5°
SURFACE FINISH = 125 MIC. IN
BREAK AND DEBURR ALL EDGES

DO NOT SCALE DRAWING



SAVAGE BROS. CO.
1125 W. Lunt Ave
Elk Grove Village, IL 60007 U.S.A.
Phone: (847) 981 - 3000
USA Fax: (800) 2 - SAVAGE
World Fax: (847) 981 - 3010

CHOCOLATE MELTER
125/200 LB FOOTPRINT

DWG. NUM.

SD-200# FOOTPRINT

DRAWN BY

ML

SCALE

SCALE: 1:16

SHEET

1 OF 1