



**SAVAGE
BROS. CO.**
S I N C E 1 8 5 5

A 21st Century Company . . . with 19th Century Craftsmanship

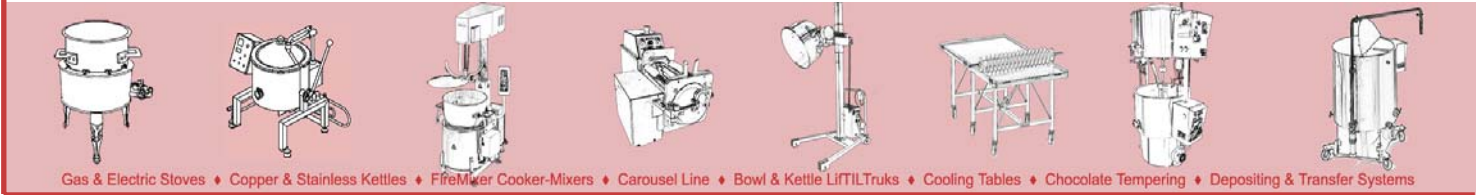
1125 Lunt Avenue
Elk Grove Village, IL 60007-5023 USA

Phone: 847-981-3000
USA Fax: 800-2-SAVAGE
World Fax: +847-981-3010

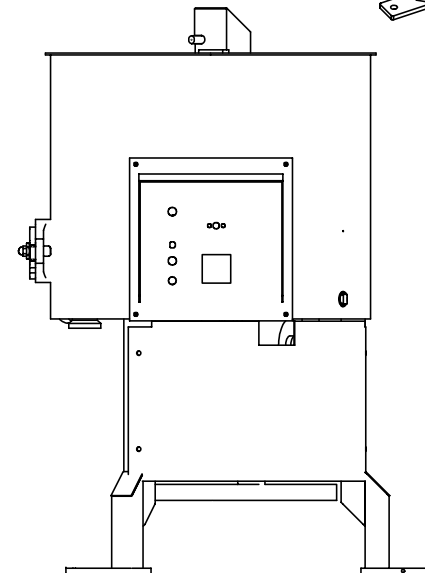
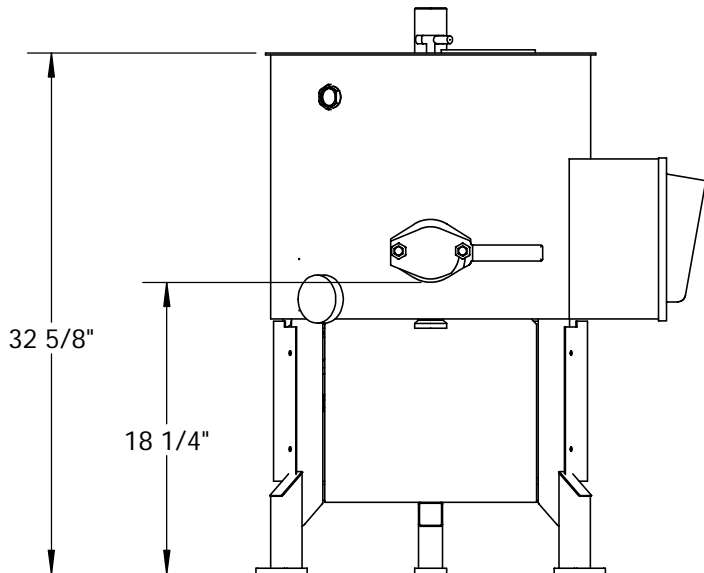
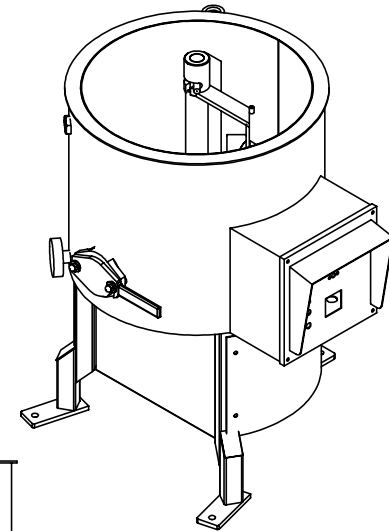
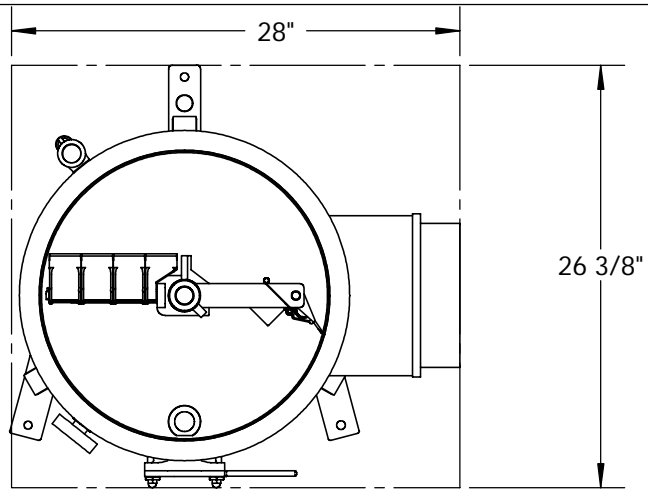
E-mail: info@savagebros.com
Web: www.savagebros.com




125lb / 55kg Capacity
Fully-Automatic
Chocolate Tempering Tank
with
PLC Touch Screen Control

Gas & Electric Stoves ♦ Copper & Stainless Kettles ♦ FireMixer Cooker-Mixers ♦ Carousel Line ♦ Bowl & Kettle Lift/Trucks ♦ Cooling Tables ♦ Chocolate Tempering ♦ Depositing & Transfer Systems



MAT.
AS PER PART
FIN. -

UNLESS OTHERWISE SPECIFIED
ALL DIMENSIONS ARE INCHES
TOLLERANCES ARE
.X = ±.03
.XX = ±.01
.XXX = ±.005
ANGLES = ±0.5°
SURFACE FINISH = 125 MIC. IN
BREAK AND DEBURR ALL EDGES

DO NOT SCALE DRAWING



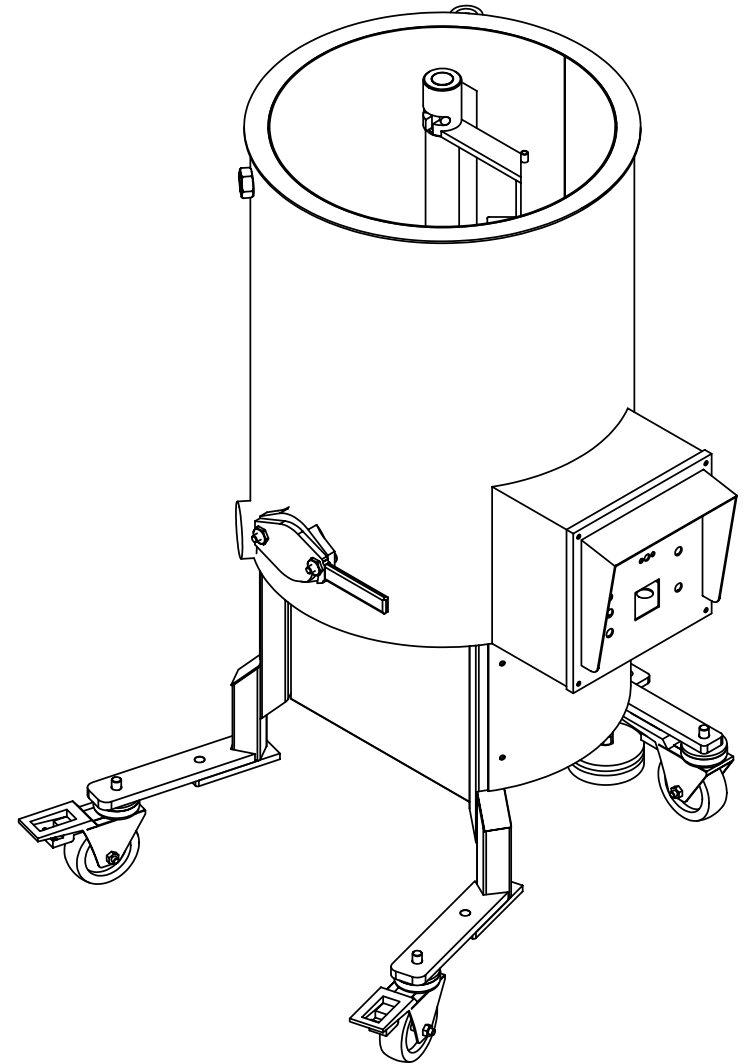
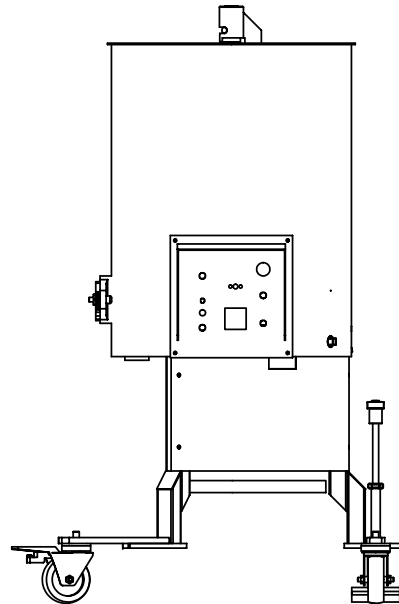
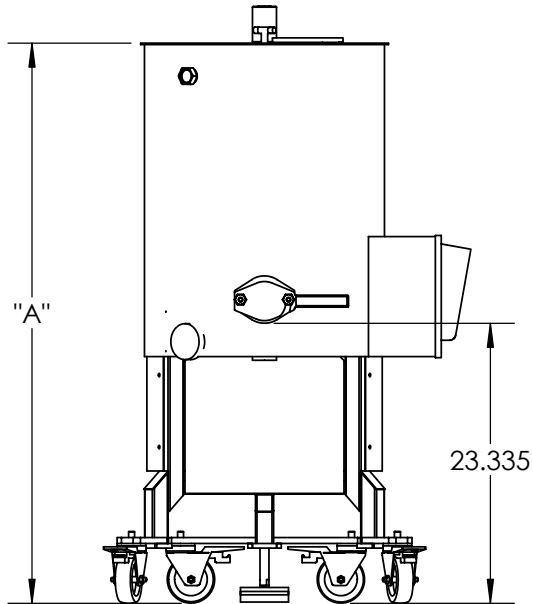
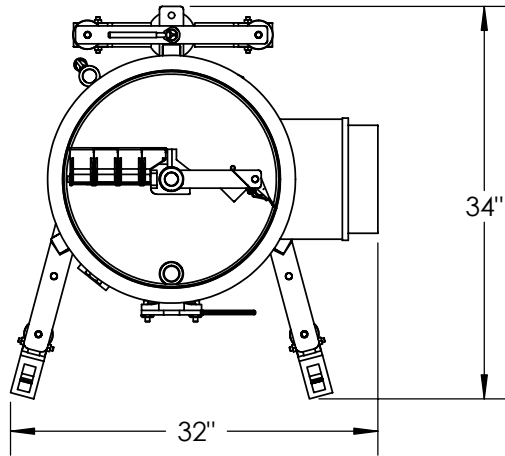
SAVAGE BROS. CO.

1125 W. Lunt Ave
Elk Grove Village, IL 60007 U.S.A.
Phone: (847) 981 - 3000
USA Fax: (800) 2 - SAVAGE
World Fax: (847) 981 - 3010

Chocolate Melter
125# CONDITIONER - NO CASTER

DWG. NUM. SD-0912-40

DRAWN BY ML	DATE 10.04.04	SCALE SCALE:1:12	SHEET 1 OF 1
----------------	------------------	---------------------	-----------------



"A"
 125LB UNIT - 38"
 200LB UNIT - 47"

MAT.
 AS PER PART
 FIN. -

UNLESS OTHERWISE SPECIFIED
 ALL DIMENSIONS ARE INCHES
 TOLERANCES ARE
 .X = ±.03
 .XX = ±.01
 .XXX = ±.005
 ANGLES = ±0.5°
 SURFACE FINISH = 125 MIC. IN
 BREAK AND DEBURR ALL EDGES

DO NOT SCALE DRAWING



SAVAGE BROS. CO.

1125 W. Lunt Ave
 Elk Grove Village, IL 60007 U.S.A.
 Phone: (847) 981 - 3000
 USA Fax: (800) 2 - SAVAGE
 World Fax: (847) 981 - 3010

CHOCOLATE MELTER
125/200 LB. WITH TILT OPTION

DWG. NUM. **SD-200# TILT OPTION**

DRAWN BY ERT	DATE 2-26-04	SCALE SCALE:1:16	SHEET 1 OF 1
-----------------	-----------------	---------------------	-----------------