



**SAVAGE
BROS. CO.**
S I N C E 1 8 5 5

1125 Lunt Avenue
Elk Grove Village, IL 60007-5023 USA



Phone: 847-981-3000
USA Fax: 800-2-SAVAGE
World Fax: +847-981-3010

E-mail: info@savagebros.com
Web: www.savagebros.com

A 21st Century Company . . . with 19th Century Craftsmanship

LARGE BATCH GAS COOKER-MIXER

Cook up to 100 Gallons / 380 Liters per batch!

- Dependant on product recipe



Heat exhausts from cooker

Sanitary 4" diameter Discharge Valve

Leveling Foot Pads

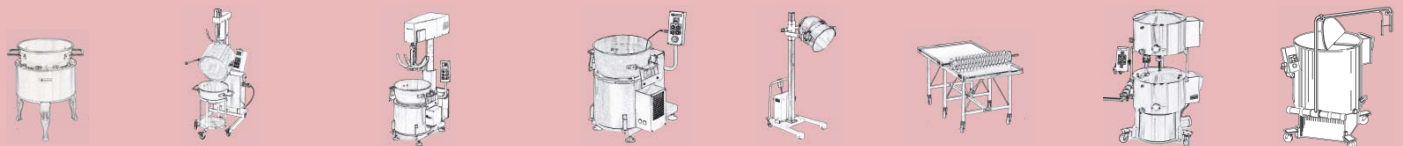
- PLC Touch-Screen process control
- Ability to control both kettle and product temperatures independently
- 3-Speed agitator mixer drive
- NEMA-4 category construction for wash-down



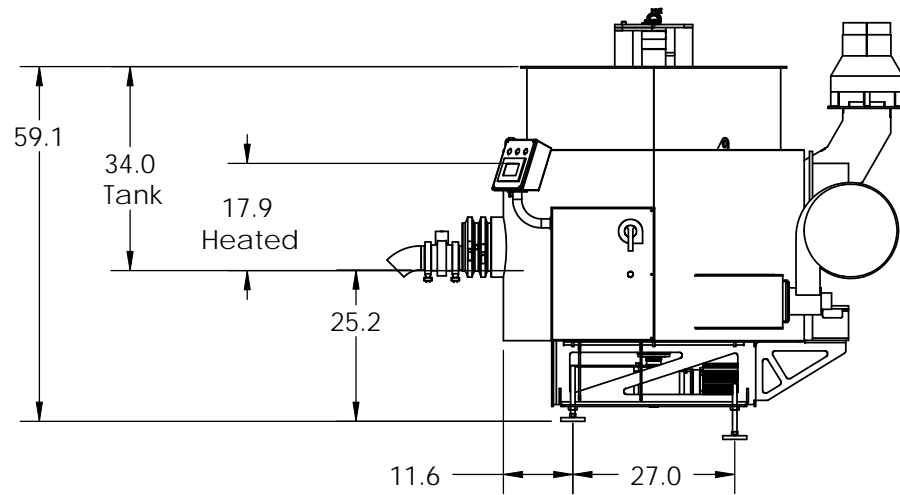
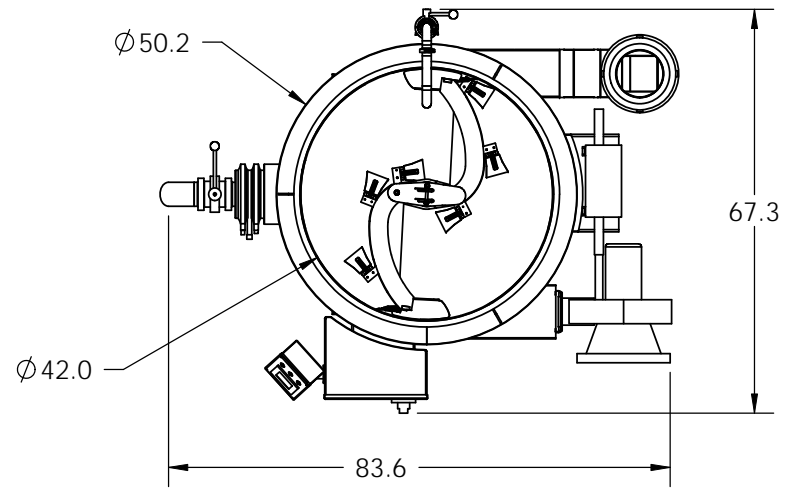
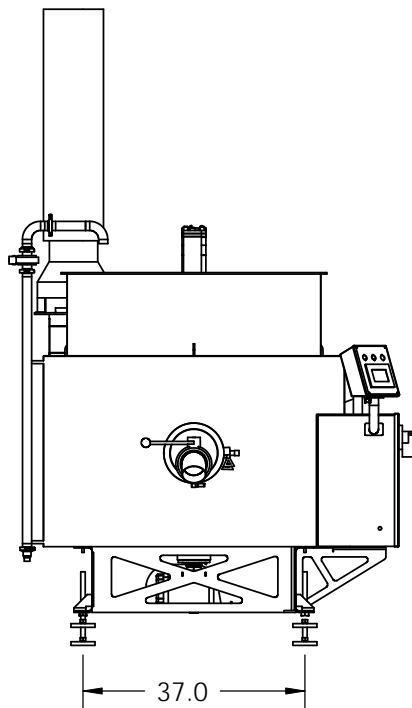
Option: High Volume Discharge Chute with 8"/200mm diameter Guillotine Valve



Spring-loaded scrapers inside tank



Gas & Electric Stoves ♦ Copper & Stainless Kettles ♦ FireMixer Cooker-Mixers ♦ Hi-Speed Cookers ♦ Bowl & Kettle Lift/Trucks ♦ Cooling Tables ♦ Chocolate Tempering ♦ Depositing & Transfer Systems



SAVAGE BROS. CO.

1125 W. Lunt Ave
 Elk Grove Village, IL 60007 U.S.A.
 Phone: (847) 981 - 3000
 USA Fax: (800) 2 - SAVAGE
 World Fax: (847) 981 - 3010

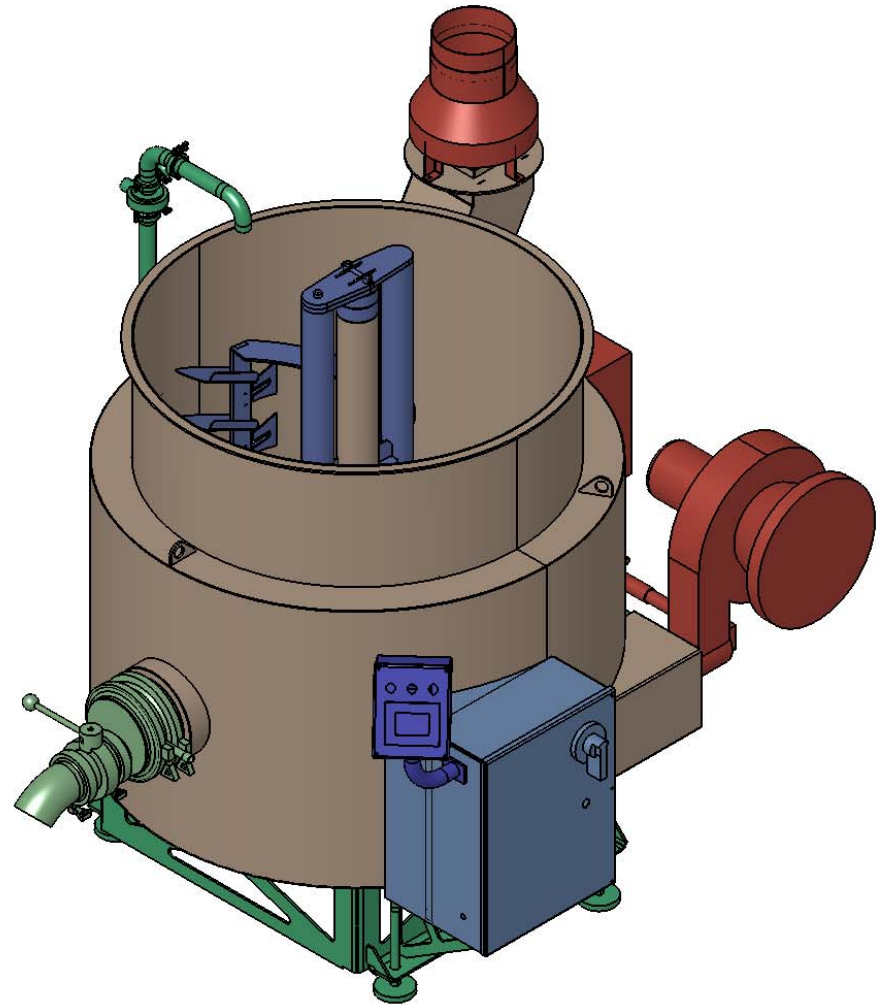
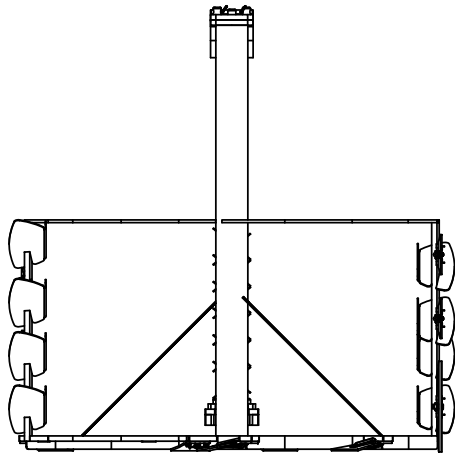
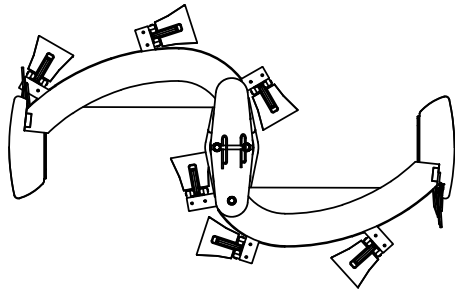
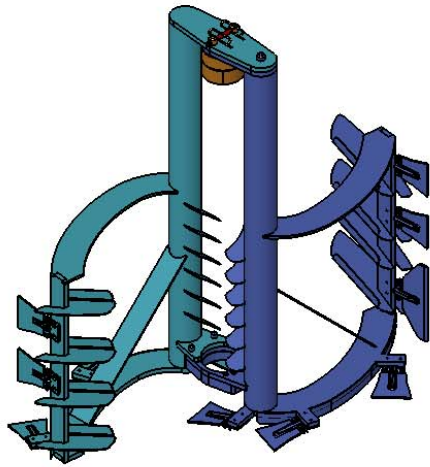
DWG. NUM. 1278-1000 lb cooker

DRAWN BY MP

DATE -

SHEET 1 OF 3

DIMENSIONS ARE IN INCHES



SAVAGE BROS. CO.

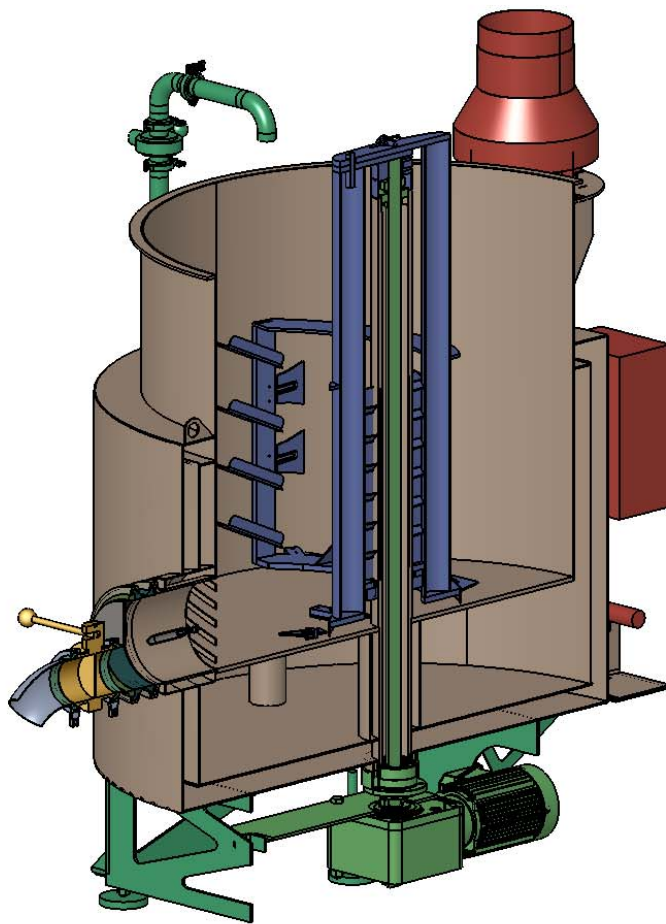
1125 W. Lunt Ave
 Elk Grove Village, IL 60007 U.S.A.
 Phone: (847) 981 - 3000
 USA Fax: (800) 2 - SAVAGE
 World Fax: (847) 981 - 3010

DWG. NUM. 1278-1000 lb cooker

DRAWN BY MP

DATE -

SHEET 2 OF 3



SAVAGE BROS. CO.
1125 W. Lunt Ave
Elk Grove Village, IL 60007 U.S.A.
Phone: (847) 981 - 3000
USA Fax: (800) 2 - SAVAGE
World Fax: (847) 981 - 3010

-
-

DWG. NUM. 1278-1000 lb cooker

DRAWN BY	DATE	SHEET
MP	-	3 OF 3