



SAVAGE
BROS. CO.
S I N C E 1 8 5 5

1125 Lunt Avenue
Elk Grove Village, IL 60007-5023 USA



Phone: 847-981-3000
USA Fax: 800-2-SAVAGE
World Fax: +847-981-3010

E-mail: info@savagebros.com
Web: www.savagebros.com

A 21st Century Company . . . with 19th Century Craftsmanship

Small Cooking System



Kettle Dollies
Above: 18" for Kettle
Below: 23" for Agitator



Cooks batches of about 35 lbs,
depending on product



Digital Temperature Unit

Control box mounts to wall
or optionally on stand as
pictured

Make . . .

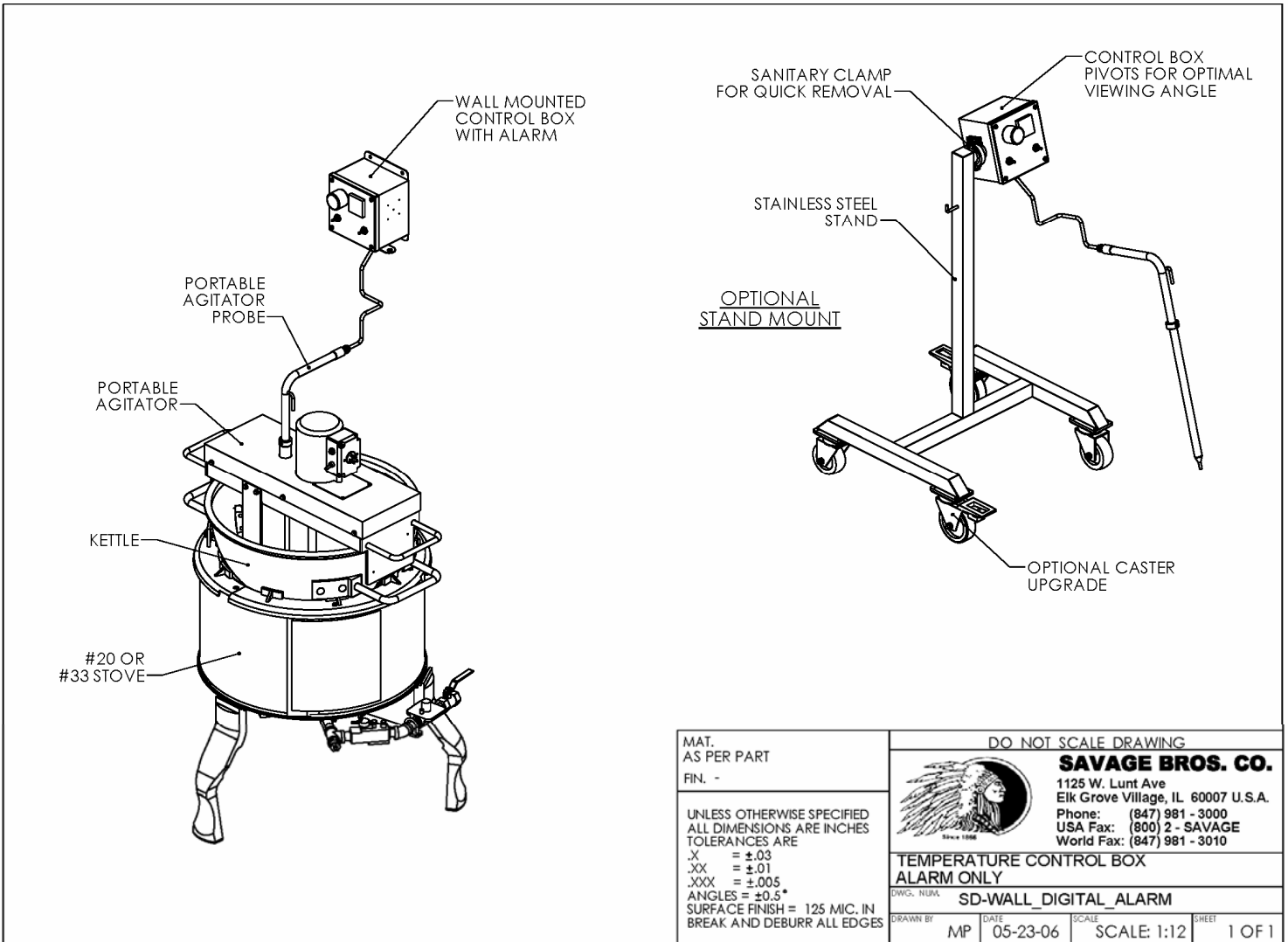
- **Fudge**
 - **Toffee**
 - **Caramel**
 - **Pralines**
- and much more!**

Description of items pictured in above system:

#20 CSA Gas Stove #0220 NG or #0221 LP
20" x 11" Spun Copper Kettle #0511-01 (each)
Portable Agitator for 20"x11" kettle #1801
Digital Temp. unit for Port.Agitator - Wall-mount #1100-10
Digital Temp. unit for Port.Agitator -Stand-mount #1100-21
Kettle Dolly with Drip Pan for Portable Agitator #0706-30
Kettle Dolly for Kettle, 18" Ring -on casters #0705

Utensils Available but not pictured above:
Spatulas * Scrapers * Candy paddles * Roller Cutters * Etc.
Prices Current as of Oct 2006





Close-up view of NEW
Wall-mount or Stand-mount
Digital Temperature Unit

- * Audible Alarm in advance of temperature set-point
- * Stainless steel probe monitors batch temperature
- * Probe fits into Portable Agitator or model available for hanging directly in kettle if no Portable Agitator

Standard is Wall-mount version
Stand-mount version available

Also available digital temperature unit to control gas stove burner. ASK!