



SAVAGE BROS. CO.

A 21st Century Company.....with 19th Century Craftsmanship

1125 Lunt Avenue
 Elk Grove Village IL 60007 USA
 847-981-3000 Fax 847-981-3010
 info@savagebros.com

GAS CANDY STOVE

A tradition to the candy industry
 for over four generations

Our gas candy stoves use our even heat jet system.
 Natural or propane gas compatible, made with a
 stainless steel outer shell, cast aluminum legs,
 safety gas pilot, and built to last for many years.
 It's no wonder that **SAVAGE BROS.** has been
 the candy industry leader for over 150 years.



Even heat jet
 burner system



Choose the gas stove that best suits your business:

STOVE TYPE	#20 Gas Stove	#33 Gas Stove
Certification	CSA* Gas & Sanitation Certified	
BTU range	90,000 to 110,000	125,000 to 150,000
Gas line	1/2 NPT input pipe	3/4 NPT input pipe
Burners and jets*	Cast iron - 32 jets	Cast iron - 44 jets
Construction	Insulated double wall steel	Double wall steel with ceramic lining
Dimensions	25 x 24 in. 64 x 61 cm	26 x 27 in. 66 x 69 cm
Kettle size	Best	24 x 14 in. (20 gal) 560 x 350 mm. (57 L)
	Maximum	20 x 11 in. (11 gal) 500 x 290 mm. (41.8 L)
Shipping weight	20 x 16 in. (15 gal) 500 x 400 mm. (57 L)	68 lbs. / 30 kg.
		132 lbs. / 60 kg.

Specify high altitude jet, if required

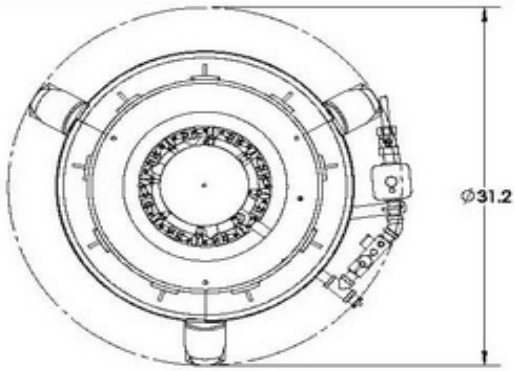
*USA & Canada mark for gas appliance certification

Optional reducing rings

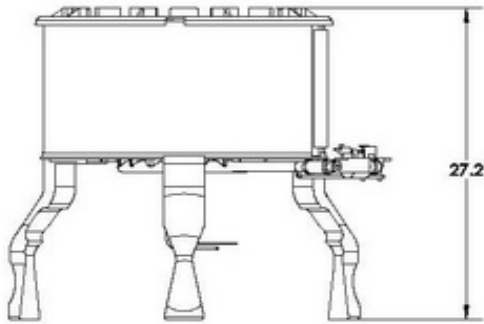
These are circles of cast iron which allow you to use smaller kettle sizes on any **SAVAGE BROS.** gas stove. The rings nest in position on the cast iron stove top and create a strong solid support surface for smaller kettles or if a complete set is used, a flat bottom pot.

Item Description	Inside Diameter	Best kettle size	Stove model # and ring part #	
			Model #20	Model #33
Full ring set			#0222 (5 Rings)	#0232 (6 Rings)
Ring G-1	17 1/2 in.	Any 20 in.	N/A	#0201
Ring G-2	15 1/4 in.	18 x 10 in.	#0202	#0202
Ring G-3	12 5/8 in.	16 x 9 in.	#0203	#0203
Ring G-4	10 in.	14 x 8 in.	#0204	#0204
Ring G-5	7 1/4 in.	10 & 12 in.	#0205	#0205
Ring G-0	Vented disk	Flat pot	#0206	#0206





TOP VIEW



FRONT VIEW



MAT.
AS PER PART
FIN. -

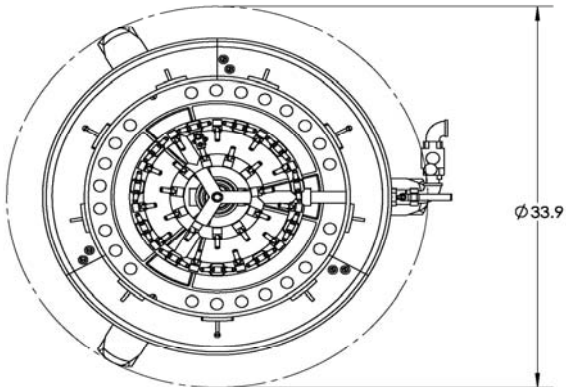
UNLESS OTHERWISE SPECIFIED
ALL DIMENSIONS ARE INCHES
TOLERANCES ARE
.X = ±.03
.XX = ±.01
.XXX = ±.005
ANGLES = ±0.5°
SURFACE FINISH = 125 MIC. IN
BREAK AND DEBURR ALL EDGES

DO NOT SCALE DRAWING

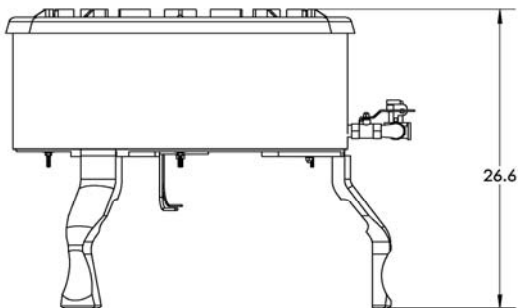
SAVAGE BROS. CO.
1125 W. Lunt Ave
Elk Grove Village, IL 60007 U.S.A.
Phone: (847) 981 - 3000
USA Fax: (800) 2 - SAVAGE
World Fax: (847) 981 - 3010

#20 GAS STOVE
OVERALL DIMENSIONS
RD-NO. 20 STOVE

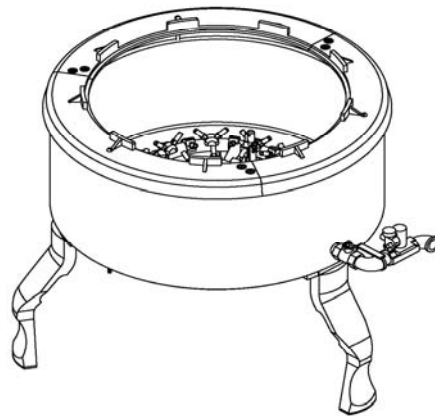
DRAWN BY	DATE	SCALE	SHEET
MP	06-30-05	SCALE: 1:10	1 OF 1



TOP VIEW



FRONT VIEW



MAT.
AS PER PART
FIN. -

UNLESS OTHERWISE SPECIFIED
ALL DIMENSIONS ARE INCHES
TOLERANCES ARE
.X = ±.03
.XX = ±.01
.XXX = ±.005
ANGLES = ±0.5°
SURFACE FINISH = 125 MIC. IN
BREAK AND DEBURR ALL EDGES

DO NOT SCALE DRAWING

SAVAGE BROS. CO.
1125 W. Lunt Ave
Elk Grove Village, IL 60007 U.S.A.
Phone: (847) 981 - 3000
USA Fax: (800) 2 - SAVAGE
World Fax: (847) 981 - 3010

#33 GAS STOVE
OVERALL DIMENSIONS
RD-NO. 33 STOVE

DRAWN BY	DATE	SCALE	SHEET
MP	06-30-05	SCALE: 1:10	1 OF 1