



SAVAGE
BROS. CO.
SINCE 1855

1125 Lunt Avenue
Elk Grove Village, IL 60007-5023 USA



Phone: 847-981-3000
USA Fax: 800-2-SAVAGE
World Fax: +847-981-3010

E-mail: info@savagebros.com
Web: www.savagebros.com

A 21st Century Company . . . with 19th Century Craftsmanship

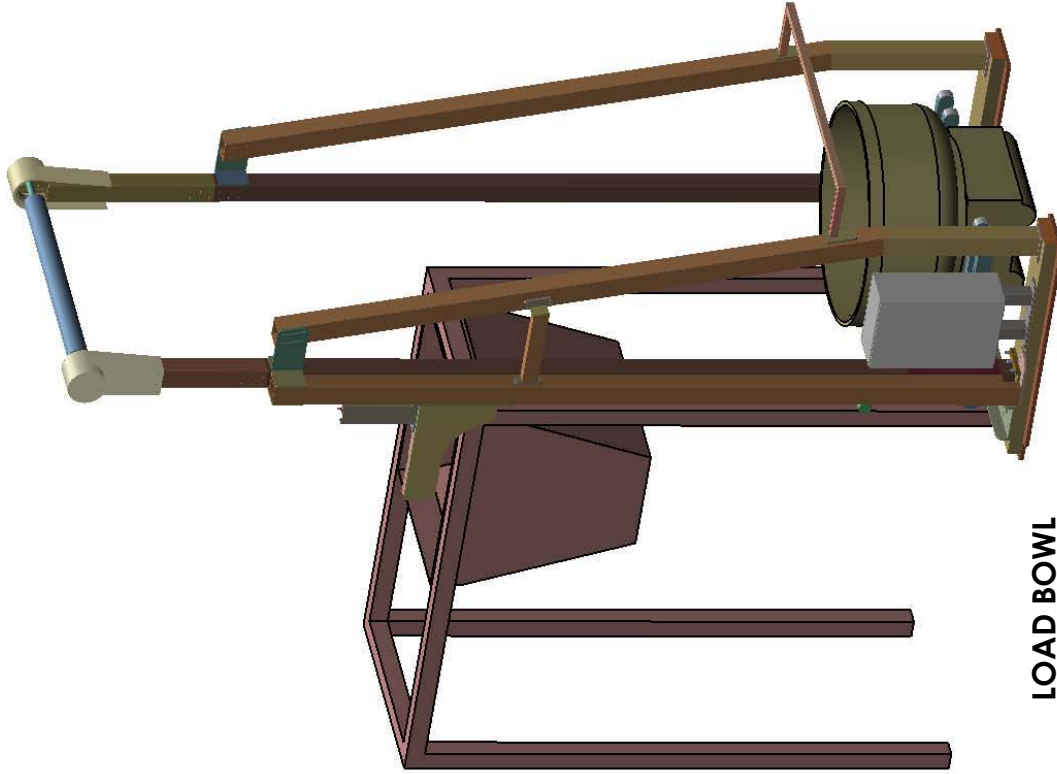
HEAVY LIFT FIXED-IN-PLACE SPIRAL MIXER BOWL LIFT & DUMP



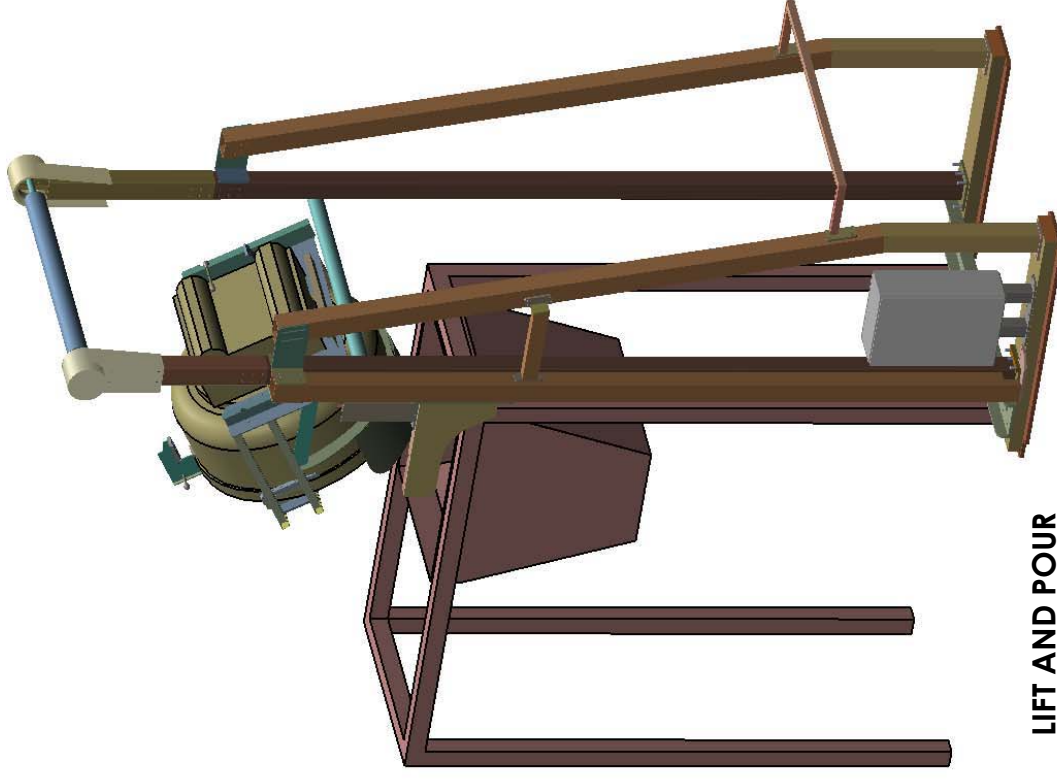
- Up to 1600 LB / 725 KG lifting capacity
- Pre-set dump height based upon YOUR hopper



Gas & Electric Stoves + Copper & Stainless Kettles + Freemixer Cooker-Mixers + Carousel Line + Bowl & Kettle Lift/Trucks + Cooling Tables + Chocolate Tempering + Depositing & Transfer Systems



LOAD BOWL



LIFT AND POUR

DO NOT SCALE DRAWING



Savage Bros. Co.
 1125 W. Lunt Ave
 Elk Grove Village, IL 60007 U.S.A.
 Phone: (847) 981 - 3000
 USA Fax: (800) 2 - SAVAGE
 World Fax: (847) 981 - 3010

**DOUBLE COLUMN FIXED LIFTER
 OVERALL DIMENSIONS**

DWG. NUM. SD-DOUBLE_COLUMN_LIFTER

DRAWN BY

MP

SCALE

SCALE: 1:36

SHEET

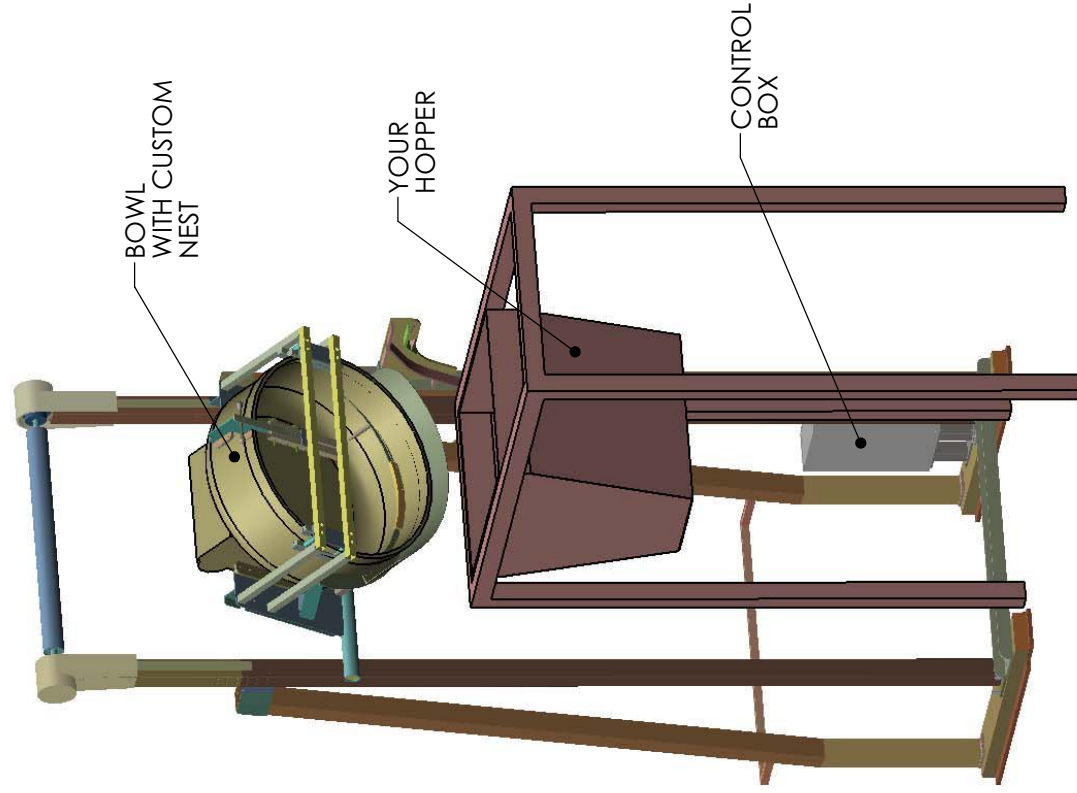
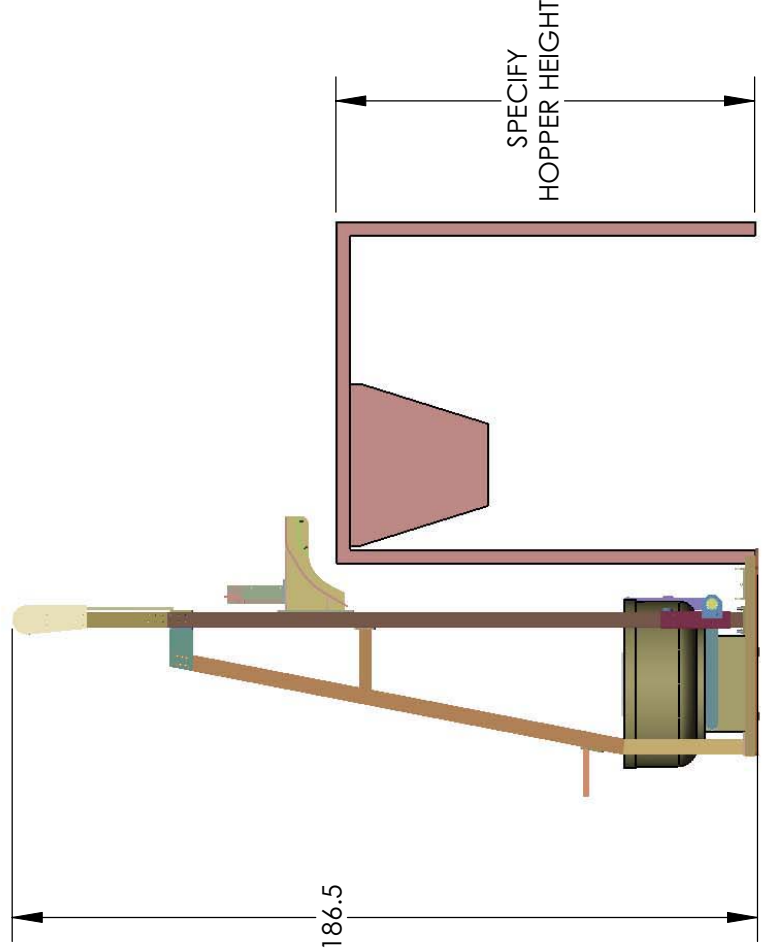
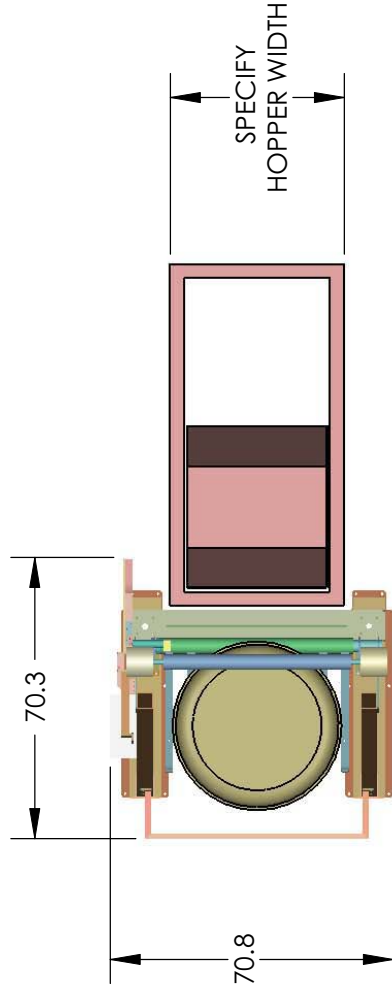
2 OF 2

QUOTATION

FOR QUOTATIONAL PURPOSES
 ONLY

ALL DESIGNS SUBJECT TO
 FINAL APPROVAL BEFORE
 MANUFACTURE

UNLESS OTHERWISE SPECIFIED
 ALL DIMENSIONS ARE INCHES



QUOTATION
 FOR QUOTATIONAL PURPOSES ONLY
 ALL DESIGNS SUBJECT TO FINAL APPROVAL BEFORE MANUFACTURE
 UNLESS OTHERWISE SPECIFIED ALL DIMENSIONS ARE INCHES

DO NOT SCALE DRAWING

SAVAGE BROS. CO.
 1125 W. Lunt Ave
 Elk Grove Village, IL 60007 U.S.A.
 Phone: (847) 981 - 3000
 USA Fax: (800) 2 - SAVAGE
 World Fax: (847) 981 - 3010

DOUBLE COLUMN FIXED LIFTER
 OVERALL DIMENSIONS

DWG. NUM. SD-DOUBLE_COLUMN_LIFTER
 DRAWN BY MP DATE 05-19-08 SCALE 1:48 SHEET 1 OF 2