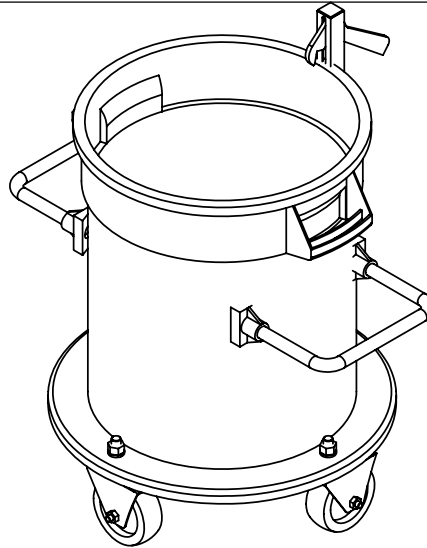
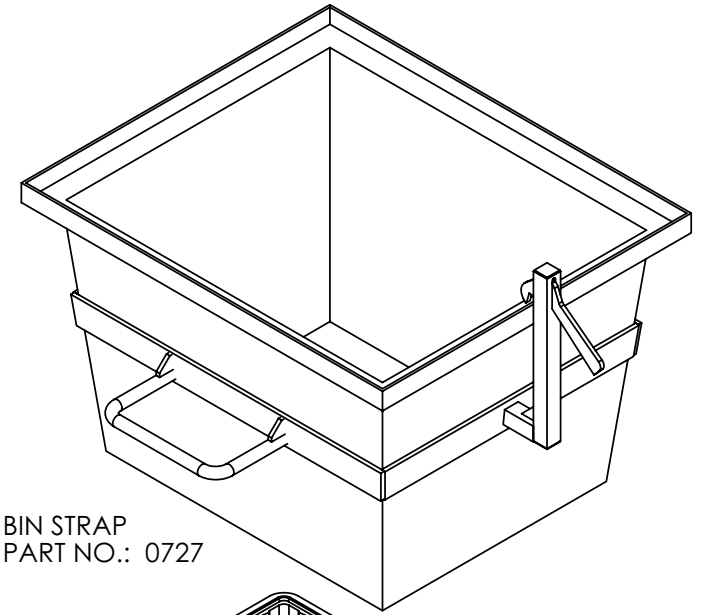


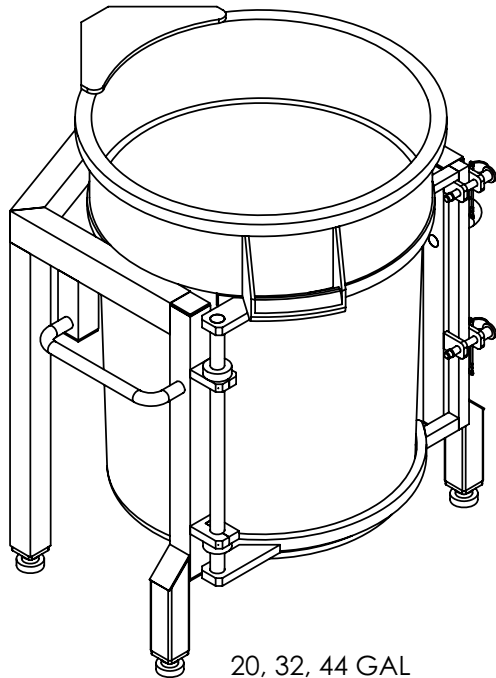
5 GAL PAIL ADAPTER
PART NO.: 0726-05



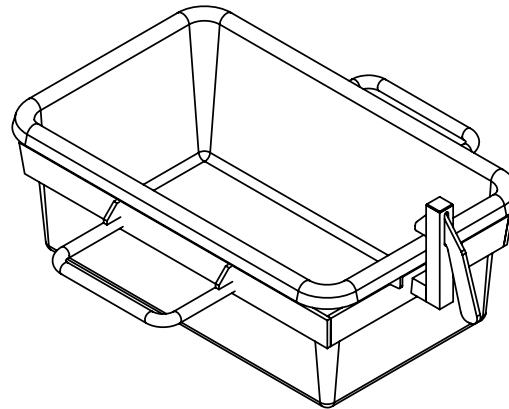
10 GAL BRUTE ADAPTER
PART NO.: 0726-10



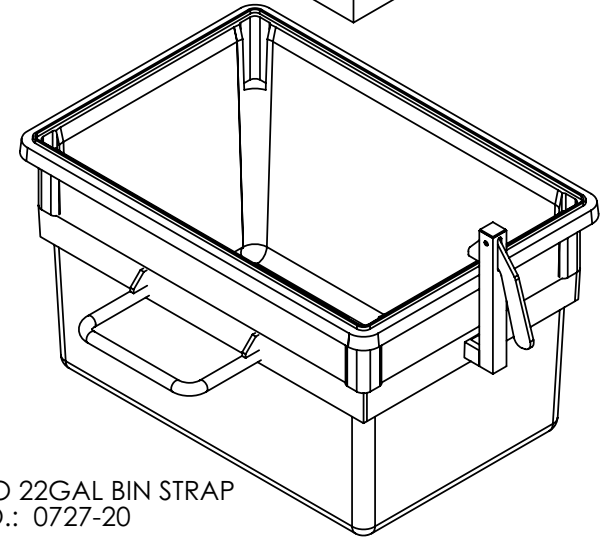
BIN STRAP
PART NO.: 0727



20, 32, 44 GAL
BRUTE HOLDER
PART NO.:
0726-20
0726-32
0726-44



KOCH TOTEALL 2000
PART NO.: 0727-10



CAMBRO 22GAL BIN STRAP
PART NO.: 0727-20

MAT.
AS PER PART
FIN. -

UNLESS OTHERWISE SPECIFIED
ALL DIMENSIONS ARE INCHES
TOLERANCES ARE
.X = ±.03
.XX = ±.01
.XXX = ±.005
ANGLES = ±0.5°
SURFACE FINISH = 125 MIC. IN
BREAK AND DEBURR ALL EDGES

DO NOT SCALE DRAWING



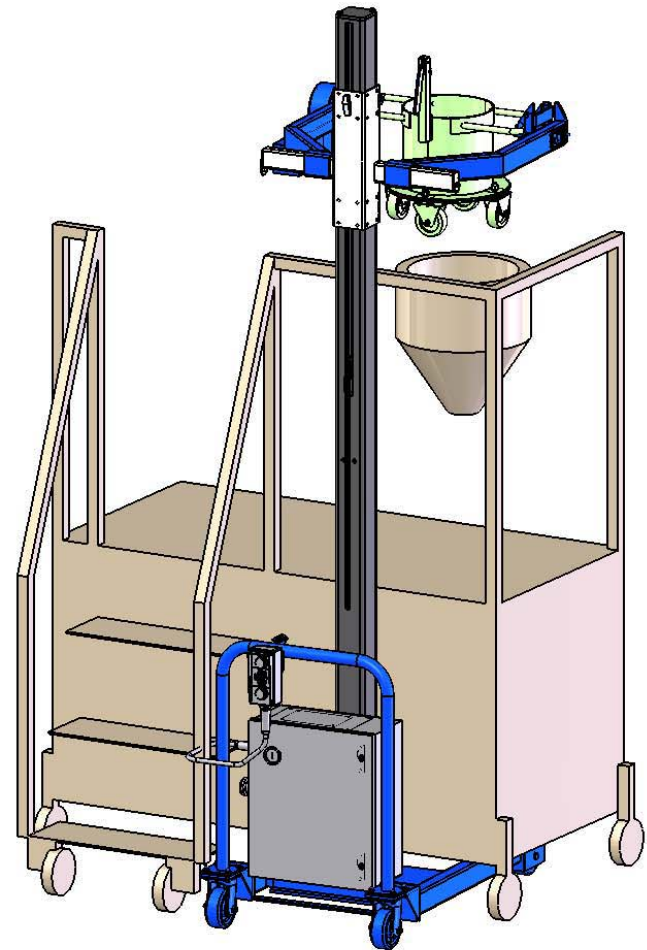
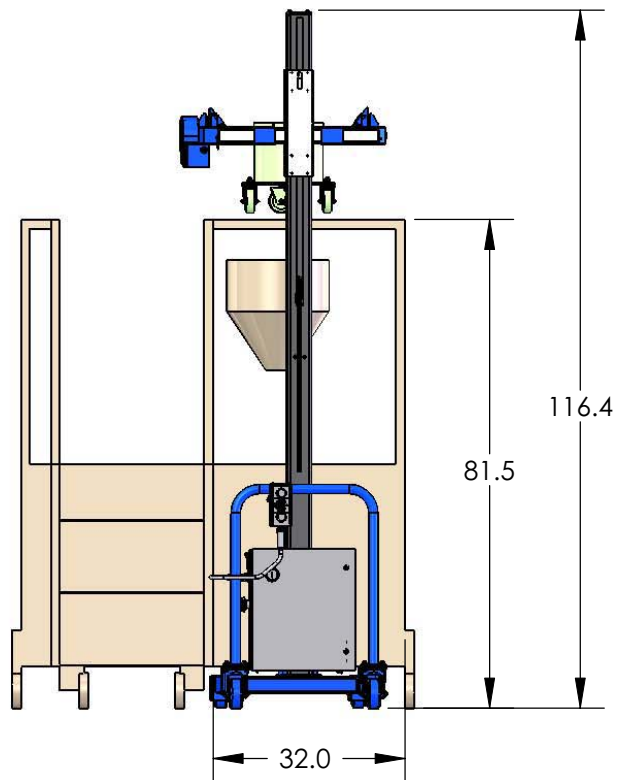
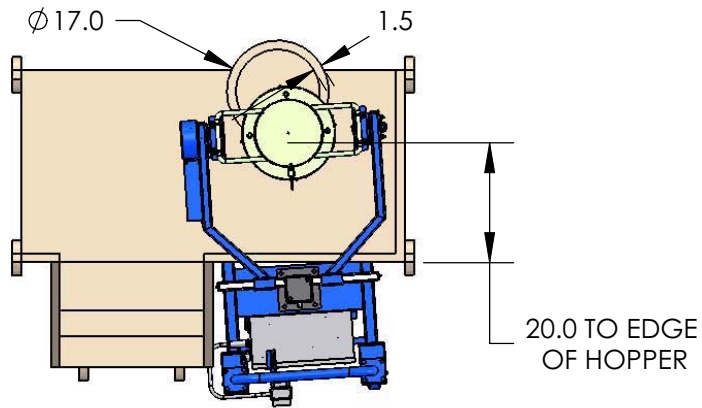
SAVAGE BROS. CO.

1125 W. Lunt Ave
Elk Grove Village, IL 60007 U.S.A.
Phone: (847) 981 - 3000
USA Fax: (800) 2 - SAVAGE
World Fax: (847) 981 - 3010

LIFTILTRUCK
LIFTING ACCESSORIES

DWG. NUM. RD-LIFTING ACCESSORIES

DRAWN BY MP	DATE 08-25-05	SCALE SCALE: 1:10	SHEET 1 OF 1
----------------	------------------	----------------------	-----------------



QUOTATION

FOR QUOTATIONAL PURPOSES ONLY

ALL DESIGNS SUBJECT TO FINAL APPROVAL BEFORE MANUFACTURE

UNLESS OTHERWISE SPECIFIED ALL DIMENSIONS ARE INCHES

DO NOT SCALE DRAWING



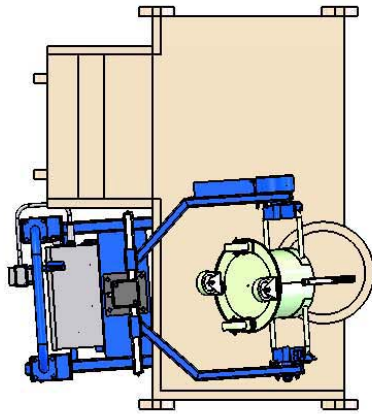
SAVAGE BROS. CO.

1125 W. Lunt Ave
 Elk Grove Village, IL 60007 U.S.A.
 Phone: (847) 981 - 3000
 USA Fax: (800) 2 - SAVAGE
 World Fax: (847) 981 - 3010

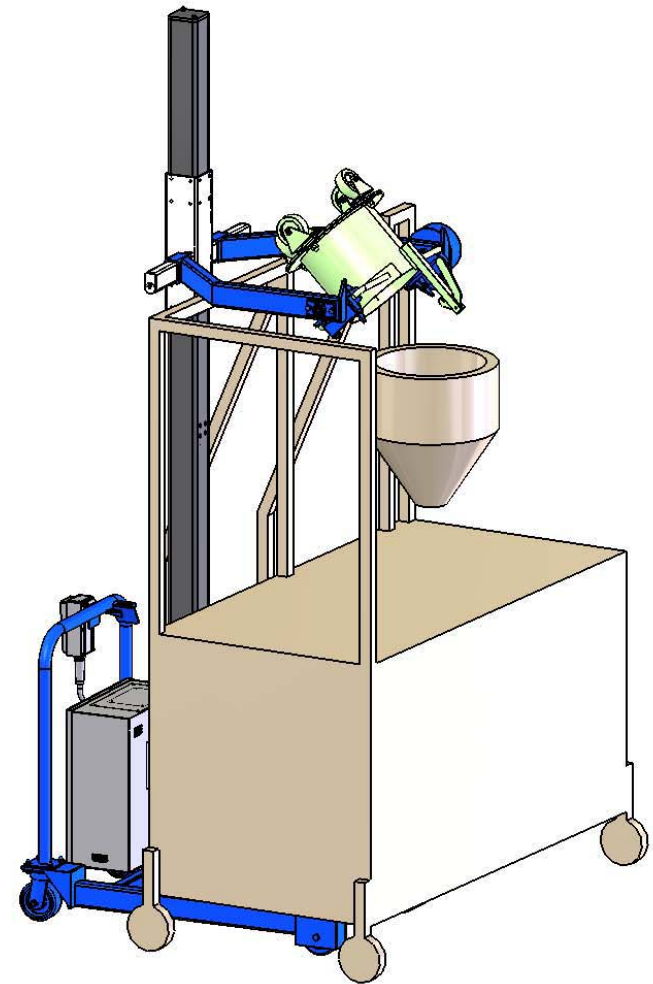
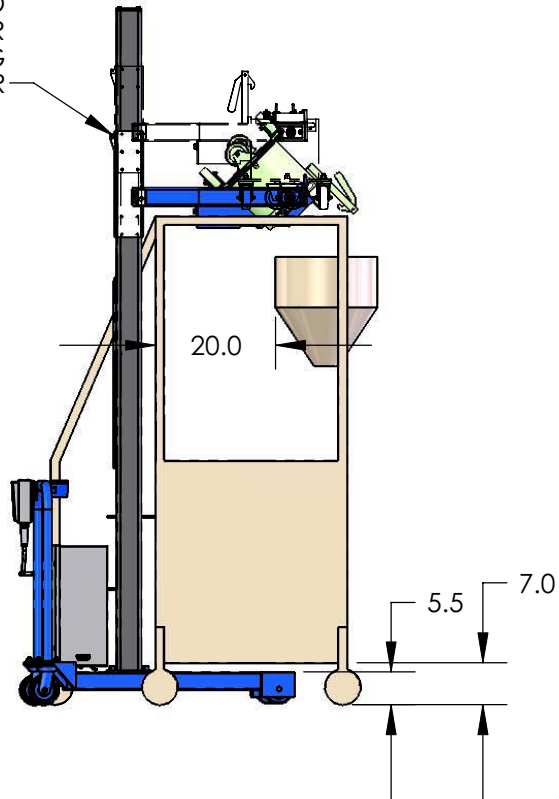
ARTISAN CONFECTIONS
CUSTOM LIFTILTRUK

DWG. NUM. SD-ARTISAN_PLANT

DRAWN BY	DATE	SCALE	SHEET
MP	03-14-08	SCALE: 1:32	1 OF 3



NOTE: MAY NEED TO LOWER ARMS AFTER CLEARING RAILING TO POUR



QUOTATION

FOR QUOTATIONAL PURPOSES ONLY

ALL DESIGNS SUBJECT TO FINAL APPROVAL BEFORE MANUFACTURE

UNLESS OTHERWISE SPECIFIED ALL DIMENSIONS ARE INCHES

DO NOT SCALE DRAWING



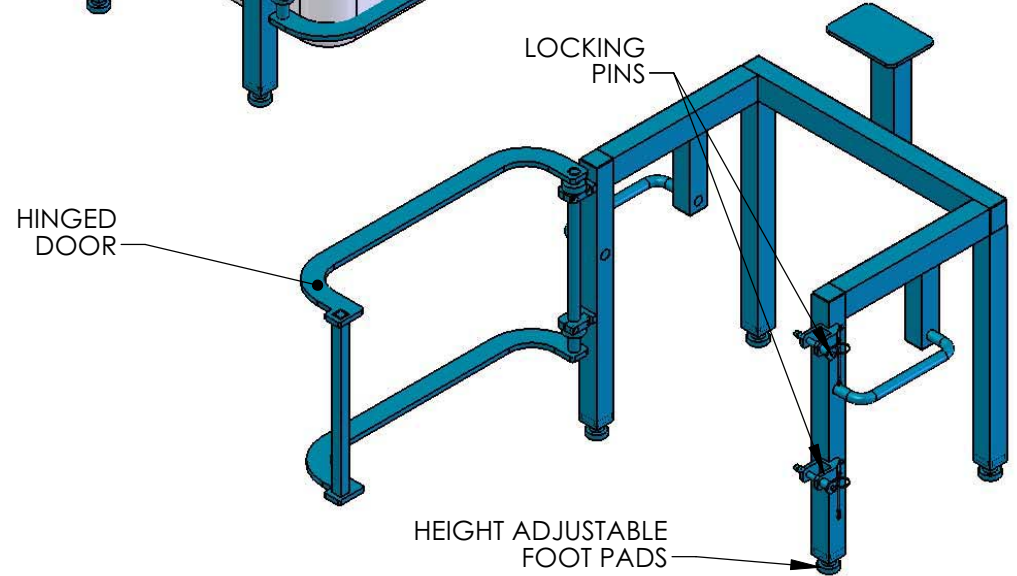
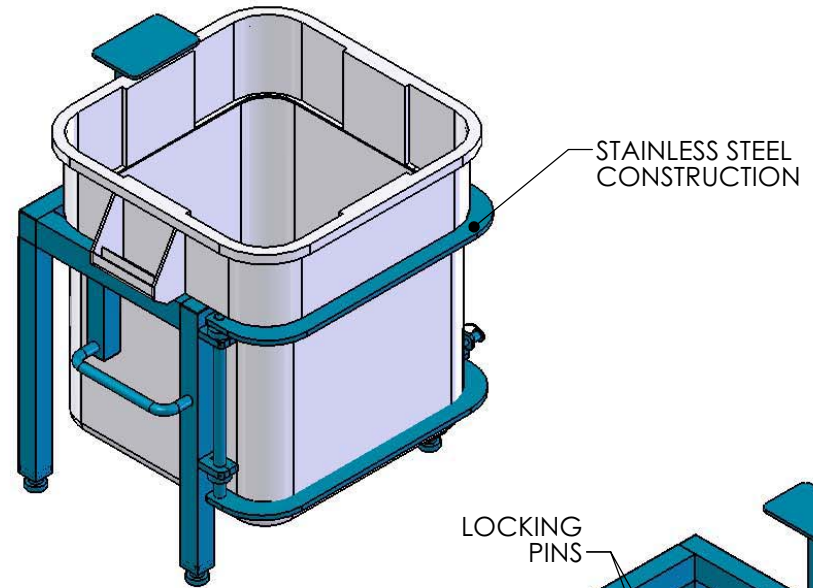
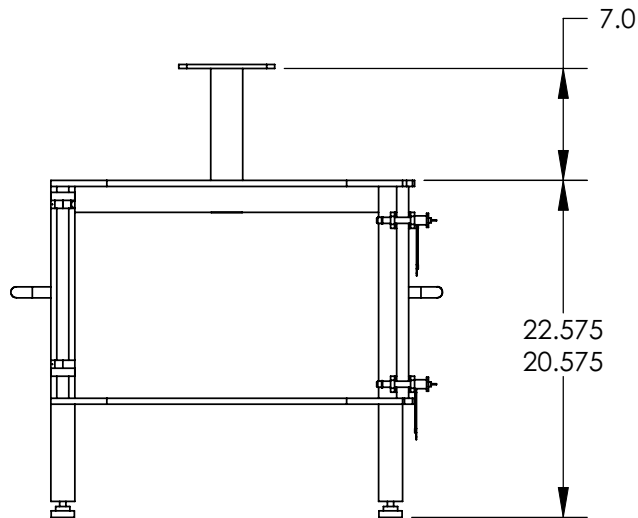
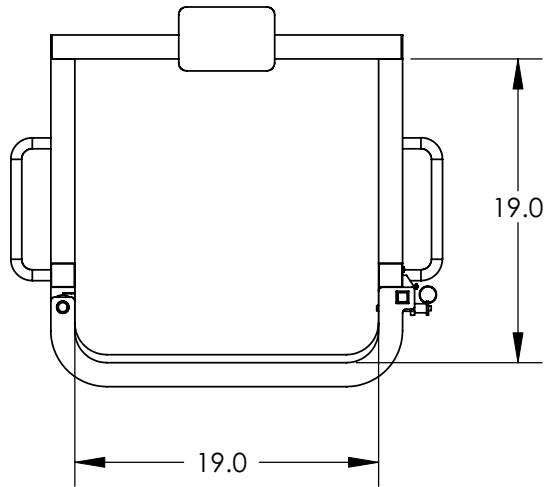
SAVAGE BROS. CO.


1125 W. Lunt Ave
Elk Grove Village, IL 60007 U.S.A.
Phone: (847) 981 - 3000
USA Fax: (800) 2 - SAVAGE
World Fax: (847) 981 - 3010

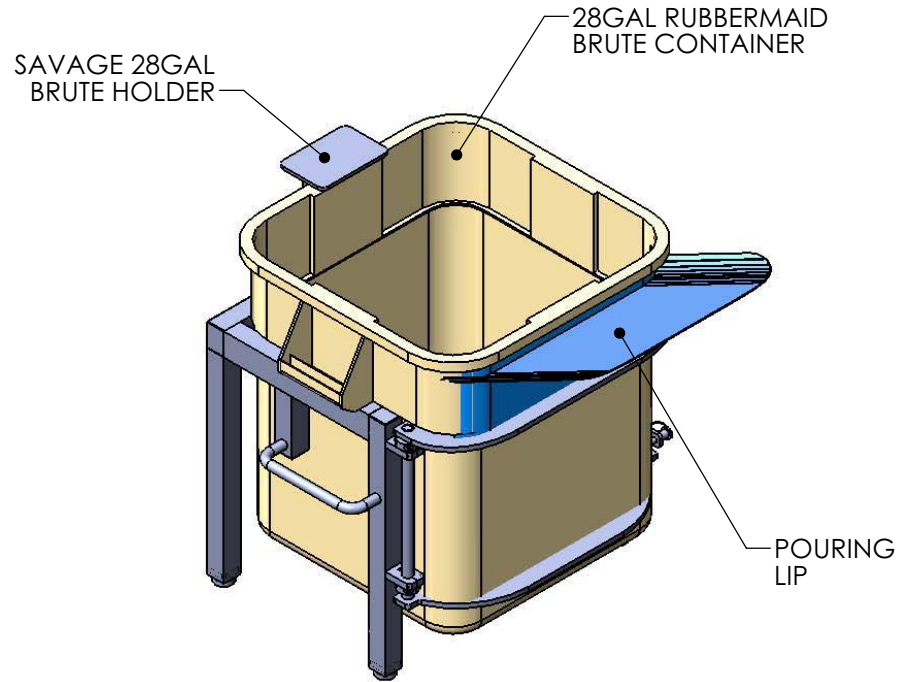
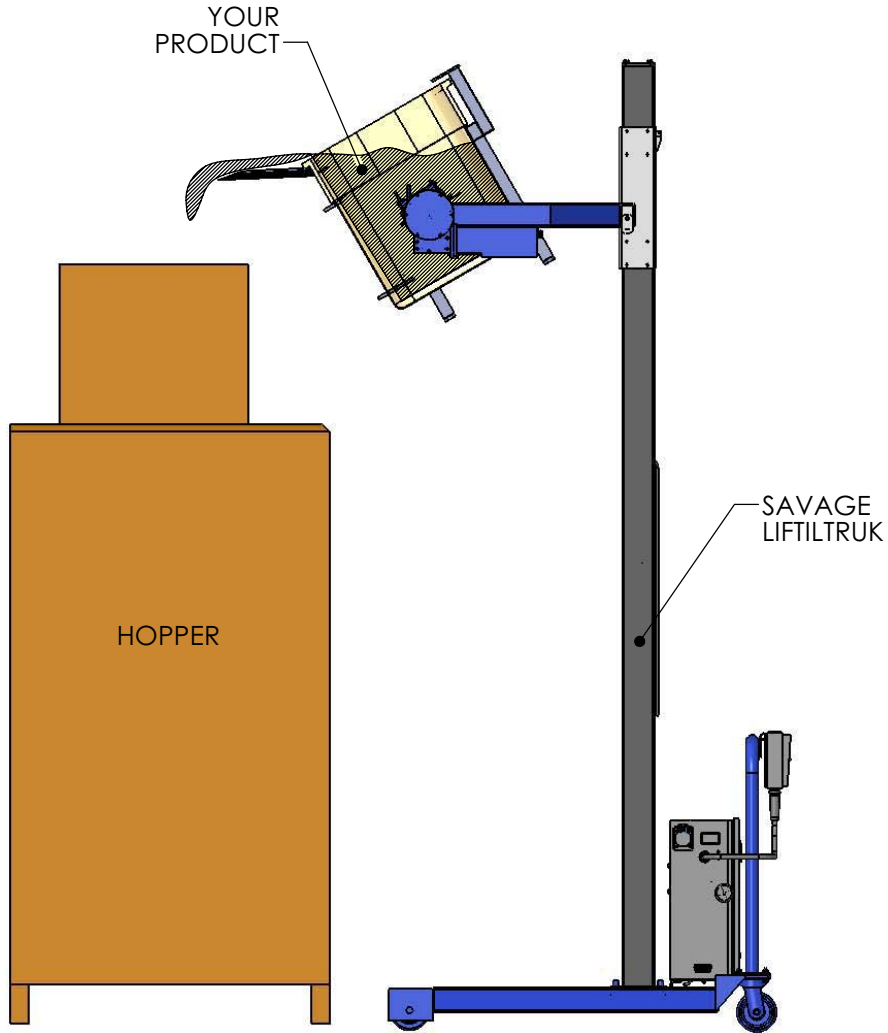
ARTISAN CONFECTIONS
CUSTOM LIFTILTRUK

DWG. NUM. SD-ARTISAN_PLANT

DRAWN BY	DATE	SCALE	SHEET
MP	03-14-08	SCALE: 1:32	2 OF 3



<p align="center">QUOTATION</p> <p align="center">FOR QUOTATIONAL PURPOSES ONLY</p> <p align="center">ALL DESIGNS SUBJECT TO FINAL APPROVAL BEFORE MANUFACTURE</p> <p align="center">UNLESS OTHERWISE SPECIFIED ALL DIMENSIONS ARE INCHES</p>	DO NOT SCALE DRAWING			
	 <p>SAVAGE BROS. CO. 1125 W. Lunt Ave Elk Grove Village, IL 60007 U.S.A. Phone: (847) 981 - 3000 USA Fax: (800) 2 - SAVAGE World Fax: (847) 981 - 3010</p>			
<p>28GAL SQUARE BRUTE HOLDER FOR #3526 RUBBERMAID BRUTE</p>				
<p>DWG. NUM. SD-28GAL_SQUARE_BRUTE HOLDER</p>				
DRAWN BY	DATE	SCALE	SHEET	
MP	04-10-08	SCALE: 1:12	1 OF 1	



QUOTATION

FOR QUOTATIONAL PURPOSES ONLY

ALL DESIGNS SUBJECT TO FINAL APPROVAL BEFORE MANUFACTURE

UNLESS OTHERWISE SPECIFIED ALL DIMENSIONS ARE INCHES

DO NOT SCALE DRAWING



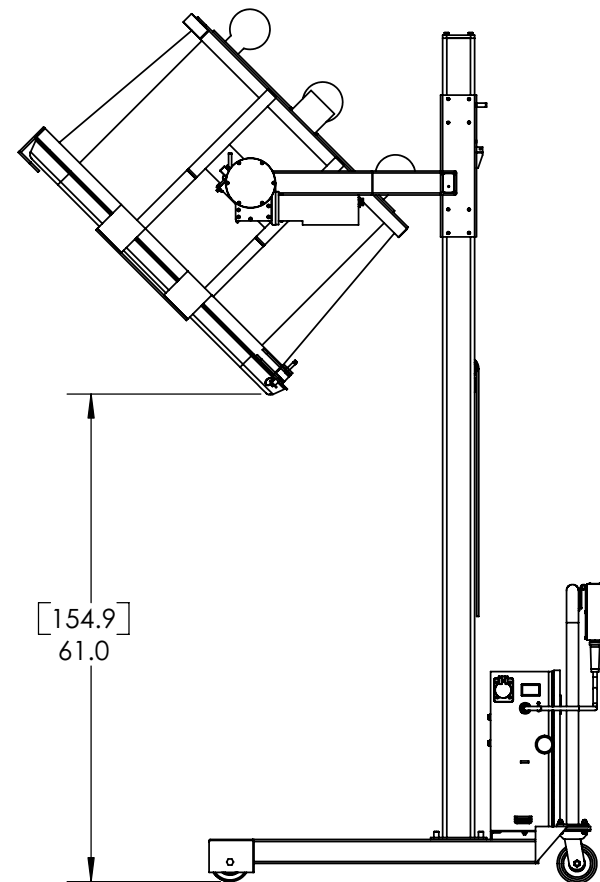
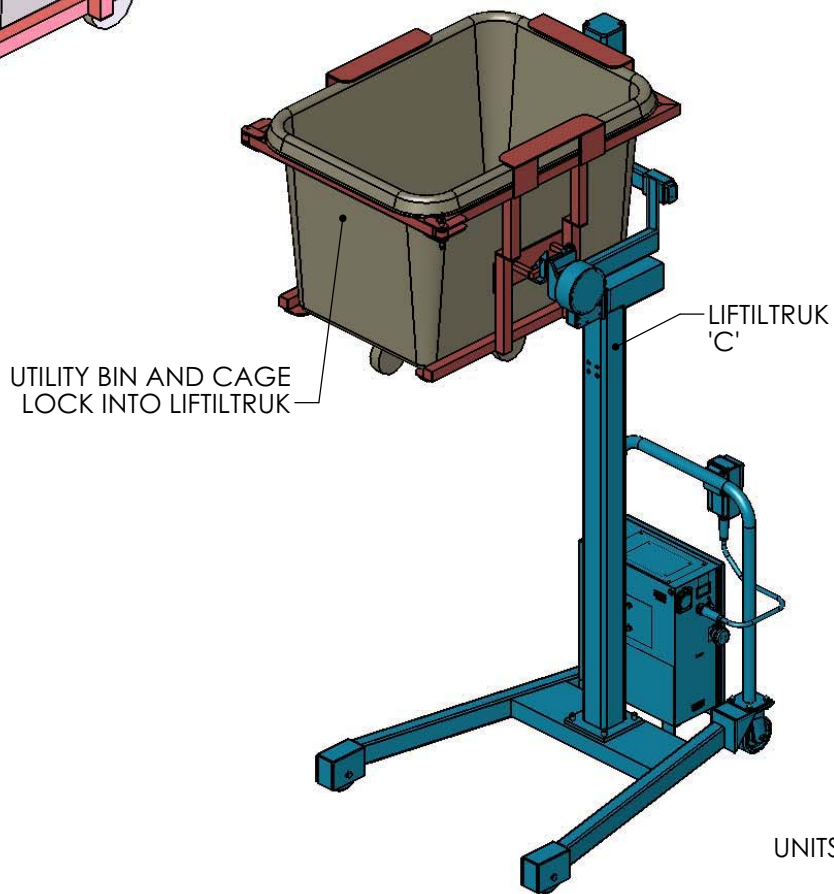
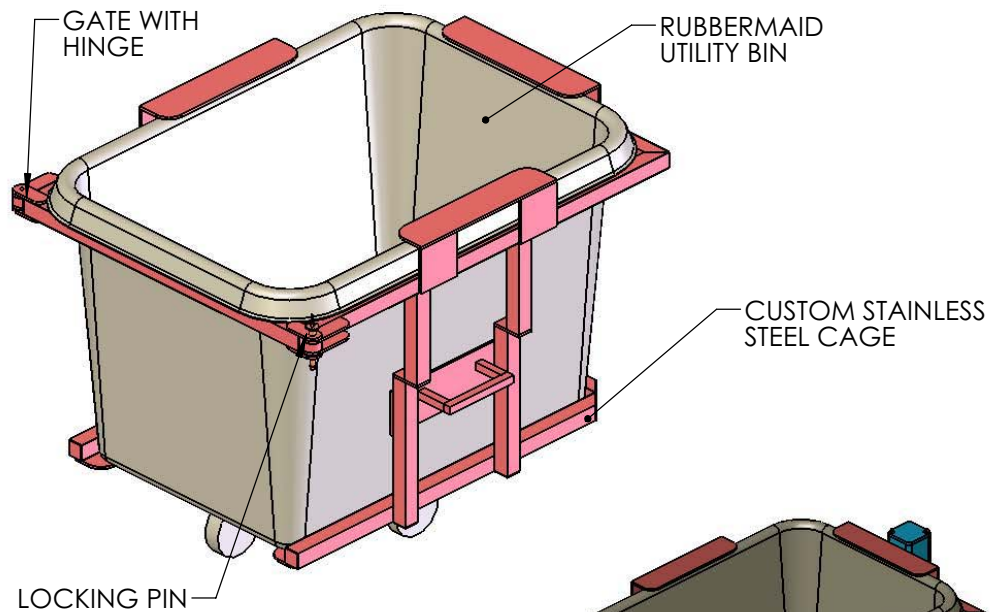
SAVAGE BROS. CO.

1125 W. Lunt Ave
Elk Grove Village, IL 60007 U.S.A.
Phone: (847) 981 - 3000
USA Fax: (800) 2 - SAVAGE
World Fax: (847) 981 - 3010

LIFTILTRUK ACCESSORIES
28GAL BRUTE HOLDER WITH POURING LIP

DWG. NUM. SD-28GAL_POURING_LIP

DRAWN BY	DATE	SCALE	SHEET
MP	08-20-08	SCALE: 1:24	1 OF 1



UNITS: [CENTIMETERS]
INCHES

DO NOT SCALE DRAWING



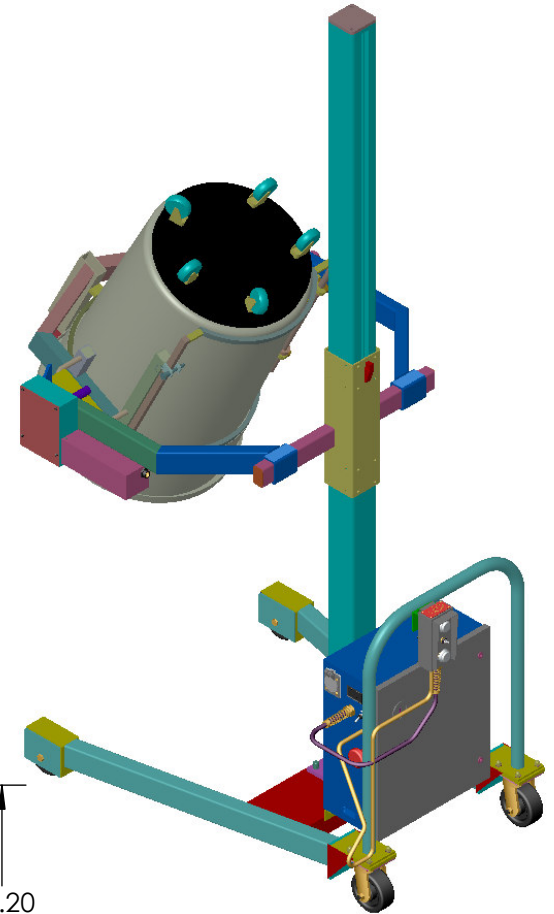
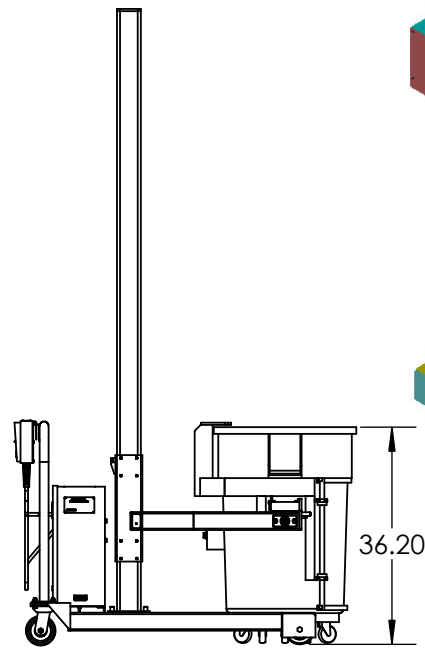
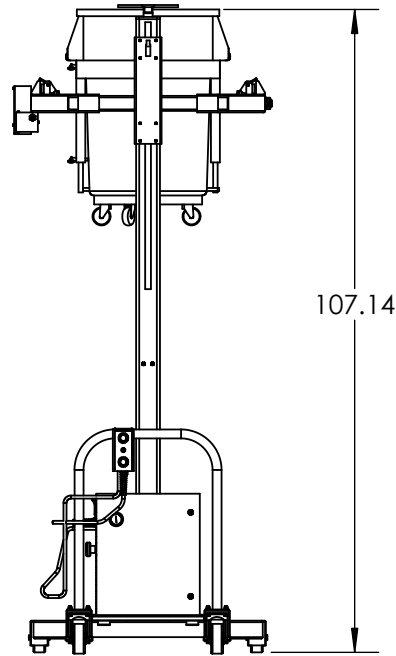
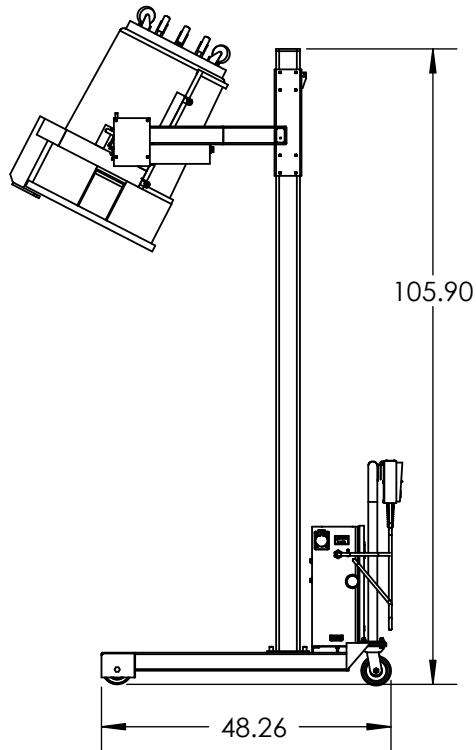
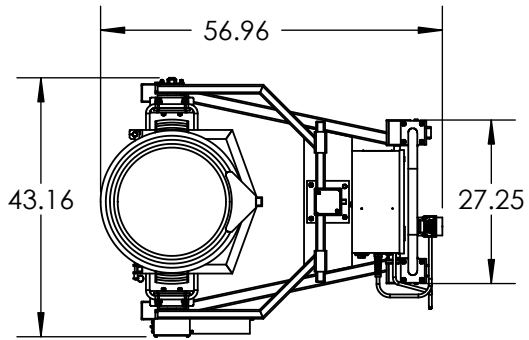
SAVAGE BROS. CO.

1125 W. Lunt Ave
Elk Grove Village, IL 60007 U.S.A.
Phone: (847) 981 - 3000
USA Fax: (800) 2 - SAVAGE
World Fax: (847) 981 - 3010

LIFTILTRUK ACCESSORIES
RUBBERMAID UTILITY BIN CAGE

DWG. NUM. 20907 SD-LIFTILTRUK_UTILITY_BIN

DRAWN BY MP	DATE 03-12-07	SCALE SCALE: 1:24	SHEET 1 OF 1
----------------	------------------	----------------------	-----------------



MAT.
AS PER PART
FIN. -

UNLESS OTHERWISE SPECIFIED
ALL DIMENSIONS ARE INCHES
TOLERANCES ARE
.X = ±.03
.XX = ±.01
.XXX = ±.005
ANGLES = ±0.5°
SURFACE FINISH = 125 MIC. IN
BREAK AND DEBURR ALL EDGES

DO NOT SCALE DRAWING



SAVAGE BROS. CO.

1125 W. Lunt Ave
Elk Grove Village, IL 60007 U.S.A.
Phone: (847) 981 - 3000
USA Fax: (800) 2 - SAVAGE
World Fax: (847) 981 - 3010

DWG. NUM. 0711 WITH BRUTE HOLDER

DRAWN BY	DATE	SCALE	SHEET
ERT	12-15-03	SCALE:1:32	1 OF 1