

**QUOTATION**

FOR QUOTATIONAL PURPOSES ONLY

ALL DESIGNS SUBJECT TO FINAL APPROVAL BEFORE MANUFACTURE

UNLESS OTHERWISE SPECIFIED ALL DIMENSIONS ARE INCHES

DO NOT SCALE DRAWING



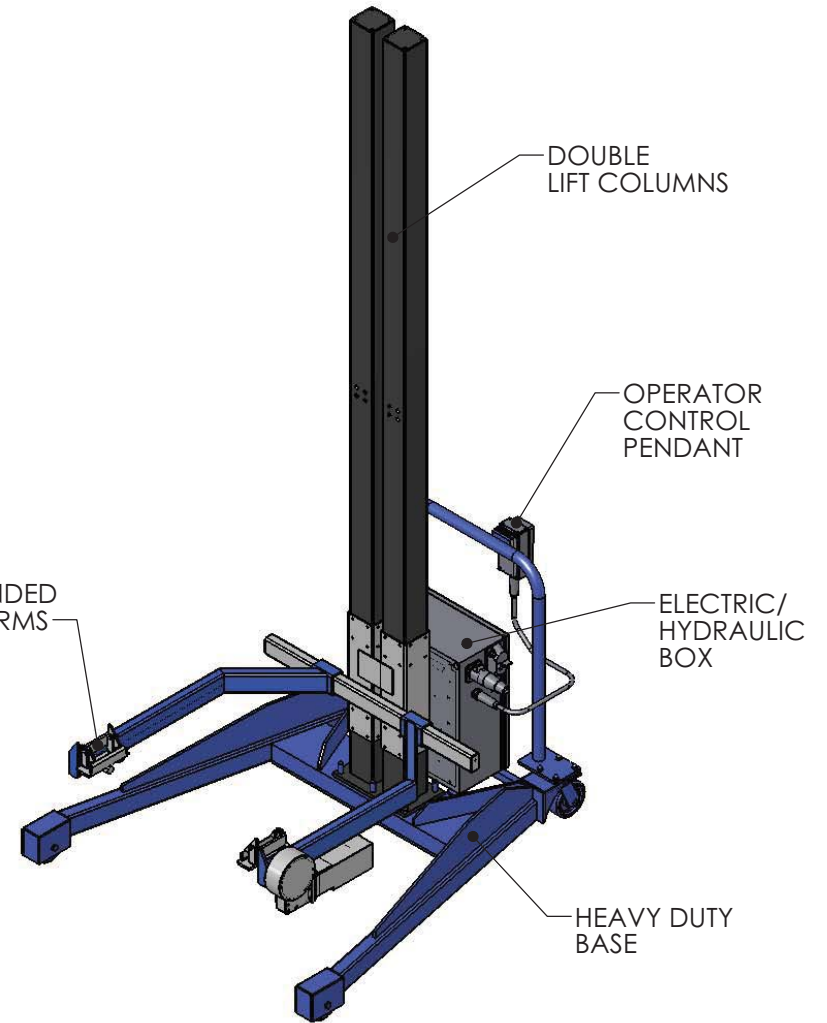
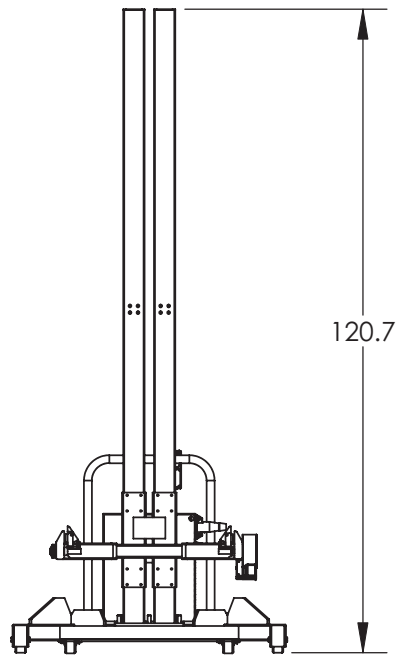
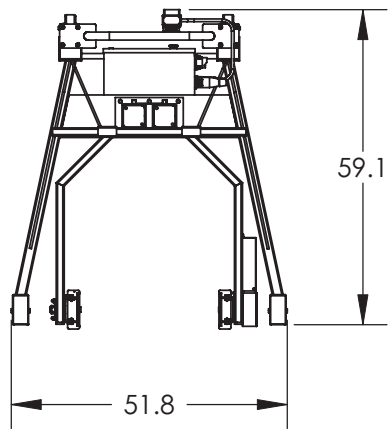
**SAVAGE BROS. CO.**

1125 W. Lunt Ave  
Elk Grove Village, IL 60007 U.S.A.  
Phone: (847) 981 - 3000  
USA Fax: (800) 2 - SAVAGE  
World Fax: (847) 981 - 3010

LIFTILTRUK MODEL E+  
OVERALL DIMENSIONS

DWG. NUM. SD-0790-10

DRAWN BY	DATE	SCALE	SHEET
MP	08-19-08	SCALE: 1:32	1 OF 1



<p><b>QUOTATION</b></p> <p>FOR QUOTATIONAL PURPOSES ONLY</p> <p>ALL DESIGNS SUBJECT TO FINAL APPROVAL BEFORE MANUFACTURE</p> <p>DIMENSIONS SHOWN ARE [MILLIMETERS] INCHES</p>	DO NOT SCALE DRAWING			
	<p><b>SAVAGE BROS. CO.</b></p> <p>1125 W. Lunt Ave Elk Grove Village, IL 60007 U.S.A. Phone: (847) 981 - 3000 USA Fax: (800) 2 - SAVAGE World Fax: (847) 981 - 3010</p>			
	<p>LIFTILTRUK E+ WITH CUSTOM TROUGH OVERALL DIMENSIONS</p>			
	<p>DWG. NUM. SD-LTTEPLUS_TROUGH</p>			
DRAWN BY	DATE	SCALE	SHEET	
MP	11-23-09	SCALE: 1:36	1 OF 2	

