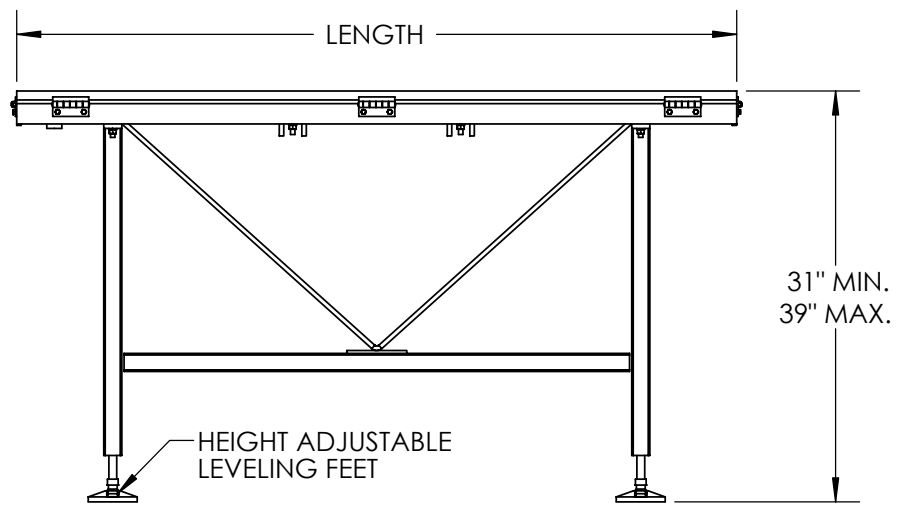
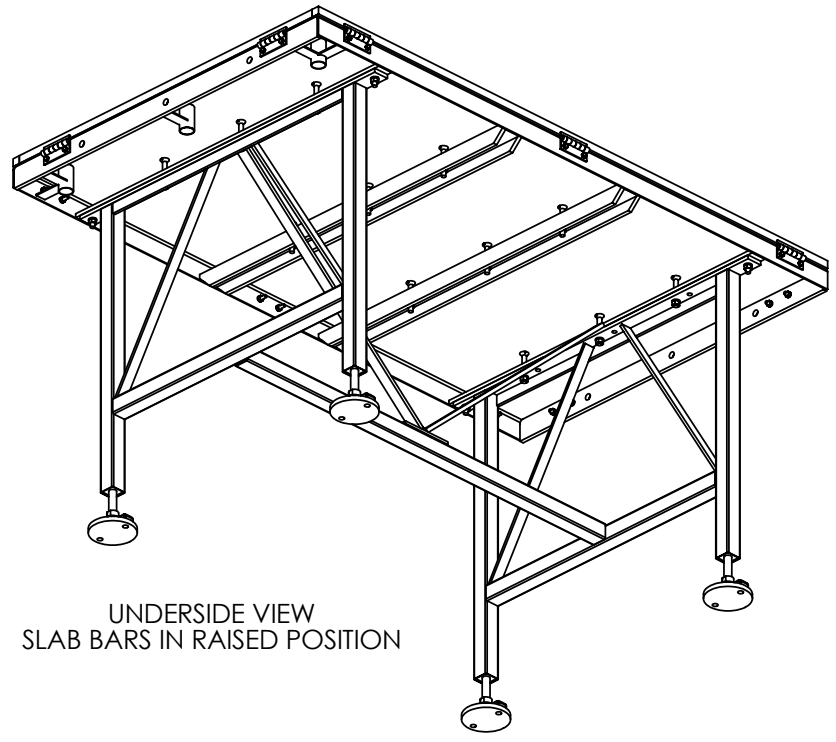


FRONT VIEW  
SLAB BARS IN LOWERED POSITION



**COOLING TABLE SIZES**  
WIDTH X LENGTH

- 30" X 60"
- 30" X 72"
- 36" X 72"
- 36" X 96"



UNDERSIDE VIEW  
SLAB BARS IN RAISED POSITION

MAT.  
AS PER PART  
FIN. -

UNLESS OTHERWISE SPECIFIED  
ALL DIMENSIONS ARE INCHES  
TOLERANCES ARE  
.X = ±.03  
.XX = ±.01  
.XXX = ±.005  
ANGLES = ±0.5°  
SURFACE FINISH = 125 MIC. IN  
BREAK AND DEBURR ALL EDGES

DO NOT SCALE DRAWING

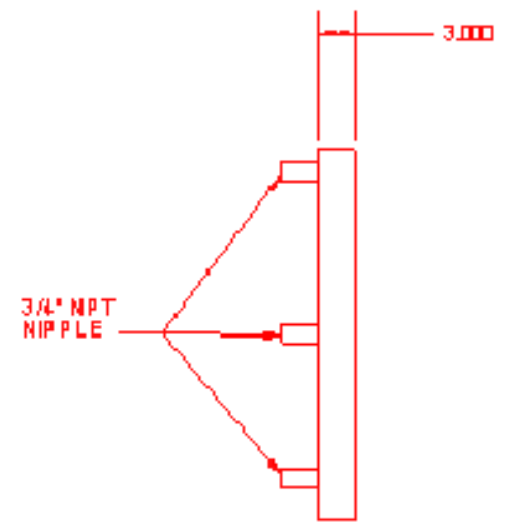
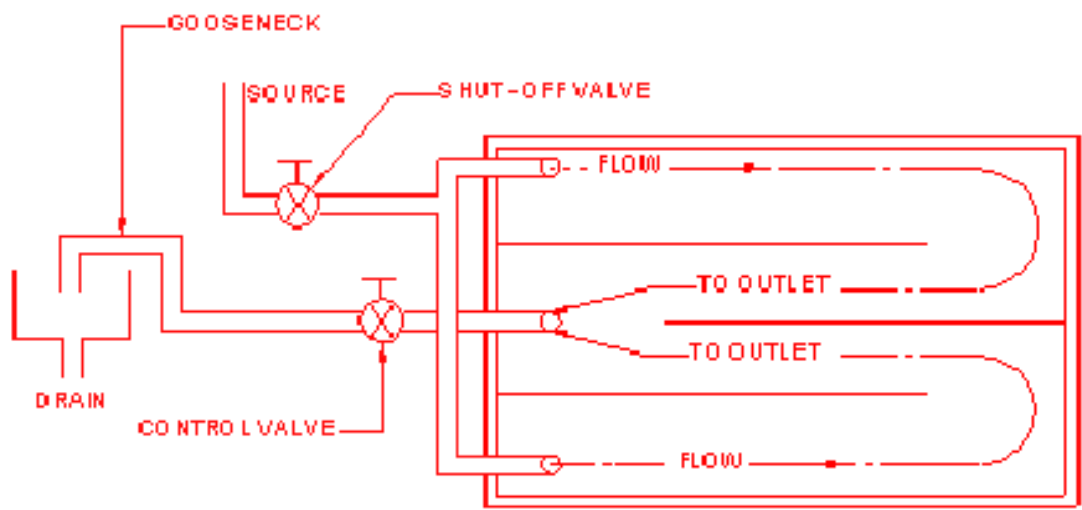


**SAVAGE BROS. CO.**  
1125 W. Lunt Ave  
Elk Grove Village, IL 60007 U.S.A.  
Phone: (847) 981 - 3000  
USA Fax: (800) 2 - SAVAGE  
World Fax: (847) 981 - 3010

**COOLING TABLE  
OVERALL DIMENSIONS**

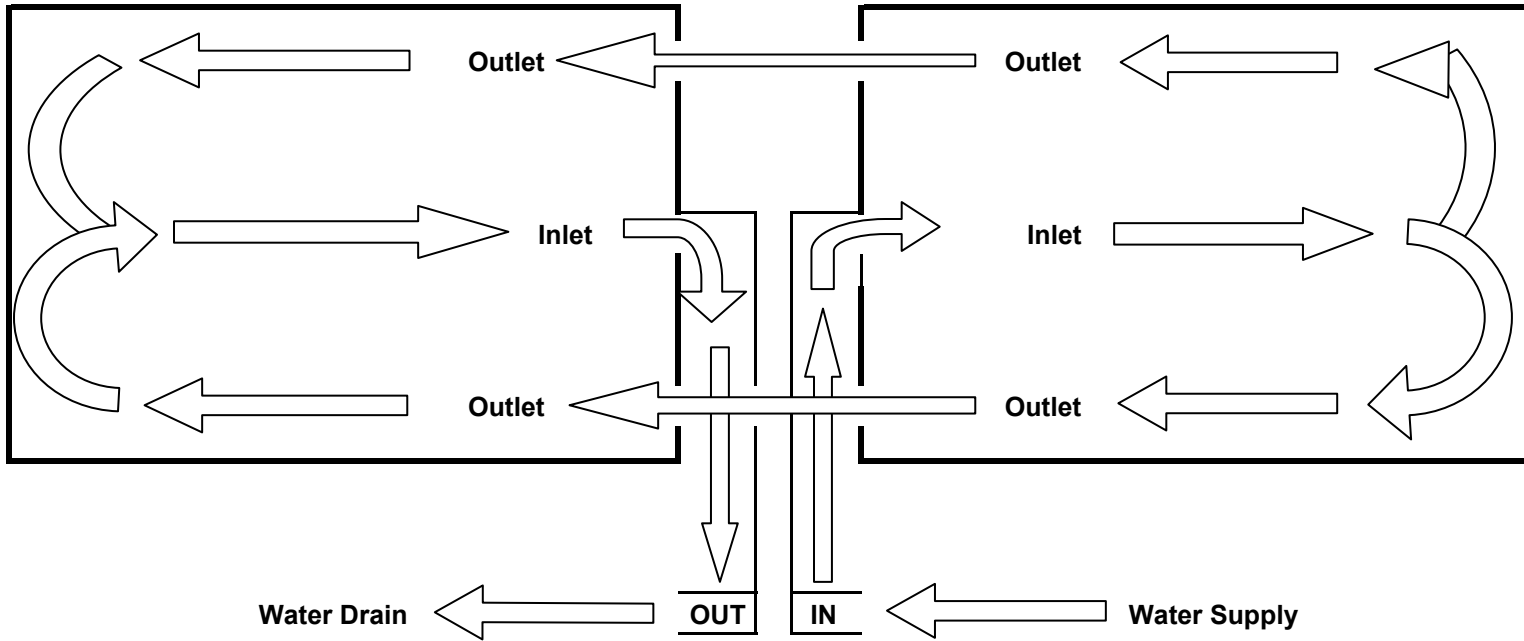
DWG. NUM.

DRAWN BY MP	DATE 06-25-04	SCALE SCALE: 1:16	SHEET 1 OF 1
----------------	------------------	----------------------	-----------------



COOLING TABLE WATER FLOW

Connecting Two Cooling Tables Using One Water Supply



Inlets/Outlets are regular 3/4" Hose type fittings.  
You can use flexible hose to connect from your water supply to the fittings and also from one table to the other.