

DO NOT SCALE DRAWING



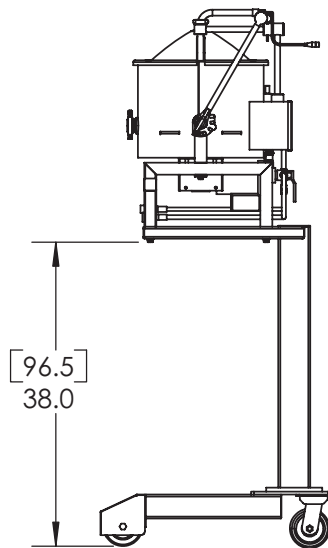
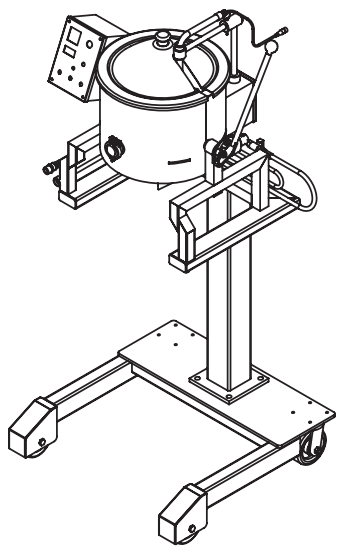
SAVAGE BROS. CO.

1125 W. Lunt Ave
 Elk Grove Village, IL 60007 U.S.A.
 Phone: (847) 981 - 3000
 USA Fax: (800) 2 - SAVAGE
 World Fax: (847) 981 - 3010

FM-14 MOBILE STAND
 WITH COOLING TABLE

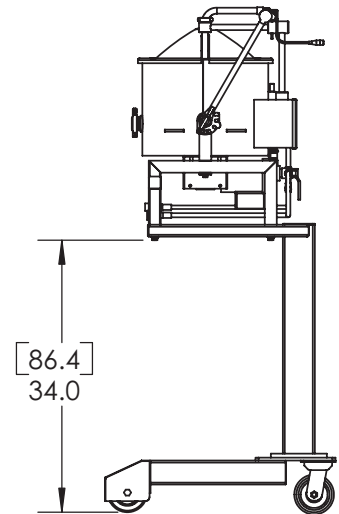
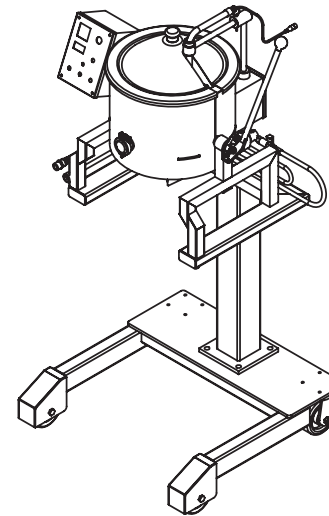
DWG. NUM. SD-FM14_COOLING_TABLE

DRAWN BY	DATE	SCALE	SHEET
MP	05-17-07	SCALE: 1:18	1 OF 1



FM-14 MOBILE STAND

FOR TABLES 36" - 38"
PART NO.: 2400-01-200



FM-14 MOBILE STAND

FOR TABLES 32" - 34"
PART NO.: 2400-01-250

UNITS: [CENTIMETERS]
INCHES

DO NOT SCALE DRAWING



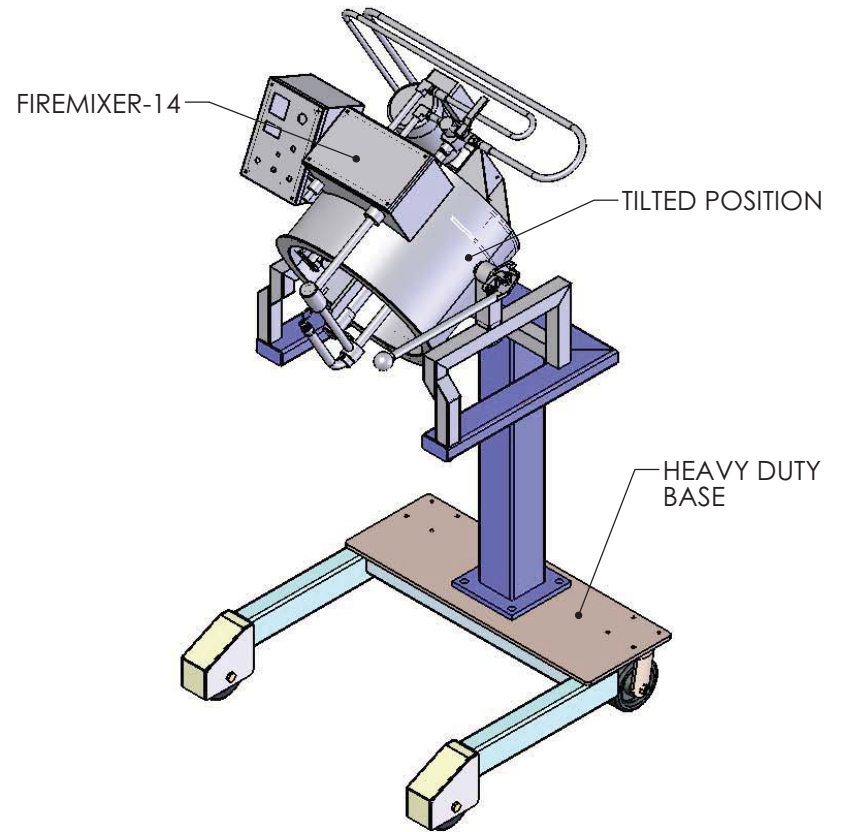
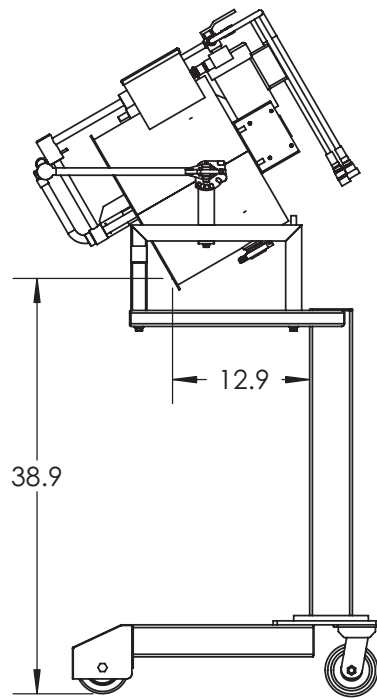
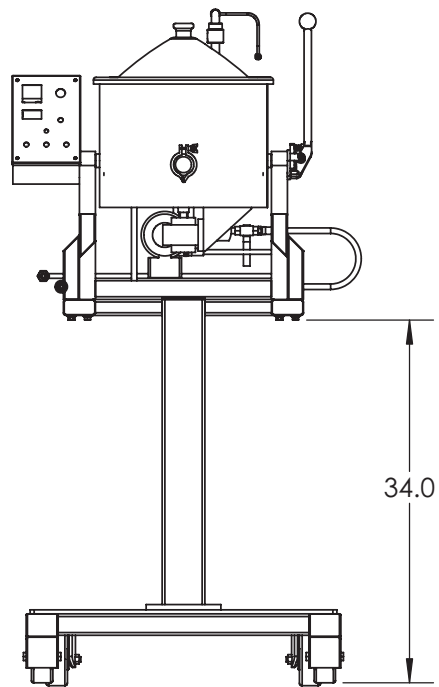
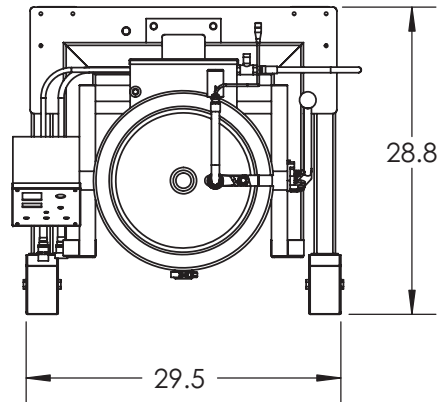
SAVAGE BROS. CO.

1125 W. Lunt Ave
Elk Grove Village, IL 60007 U.S.A.
Phone: (847) 981 - 3000
USA Fax: (800) 2 - SAVAGE
World Fax: (847) 981 - 3010

FM-14 ACCESSORIES
MOBILE STAND

DWG. NUM. SD-FM14_MOBILE_STAND

DRAWN BY	DATE	SCALE	SHEET
MP	05-21-07	SCALE: 1:24	1 OF 1



DO NOT SCALE DRAWING



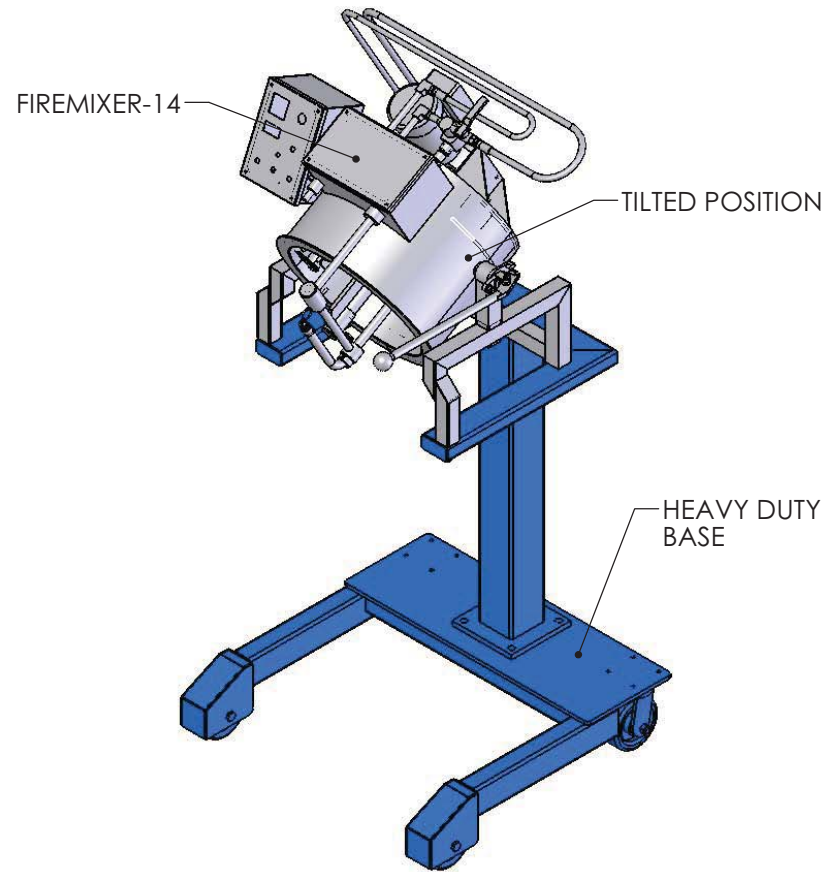
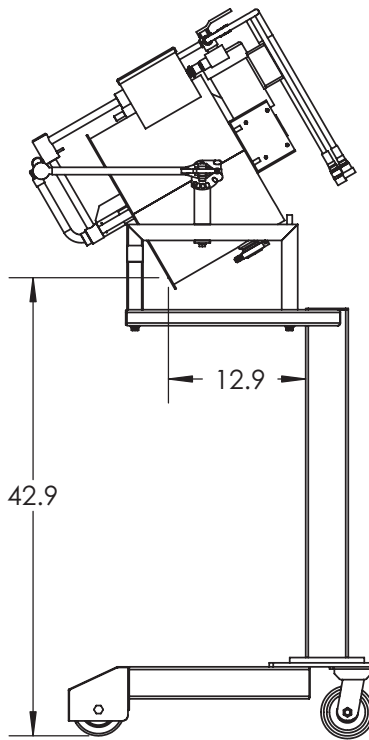
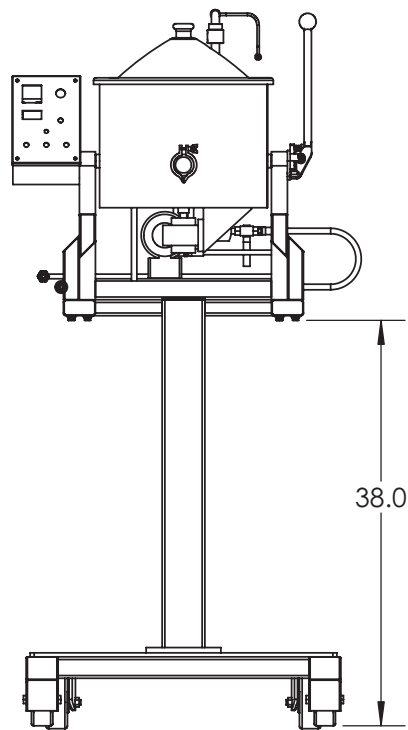
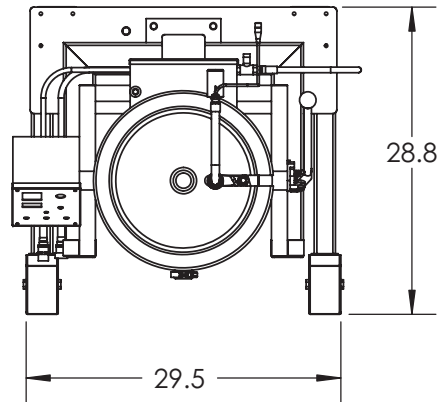
SAVAGE BROS. CO.

1125 W. Lunt Ave
 Elk Grove Village, IL 60007 U.S.A.
 Phone: (847) 981 - 3000
 USA Fax: (800) 2 - SAVAGE
 World Fax: (847) 981 - 3010


MOBILE FIREMIXER-14 - 34"
 OVERALL DIMENSIONS

DWG. NUM. 2400-01-250

DRAWN BY	DATE	SCALE	SHEET
MP	05-18-07	SCALE: 1:18	1 OF 1



DO NOT SCALE DRAWING

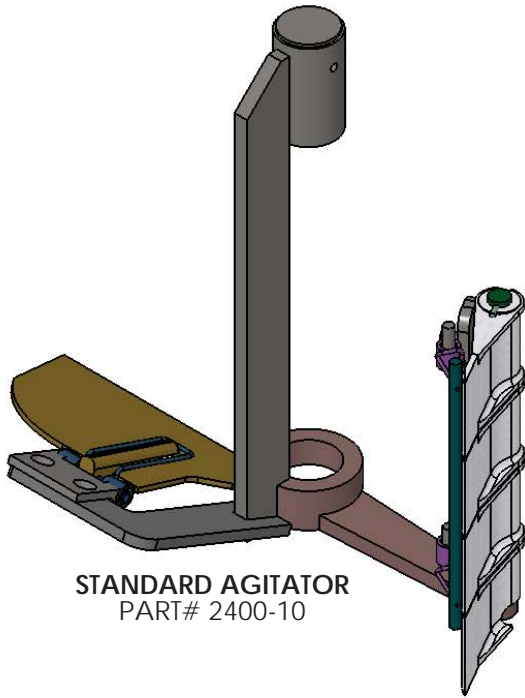


SAVAGE BROS. CO.
 1125 W. Lunt Ave
 Elk Grove Village, IL 60007 U.S.A.
 Phone: (847) 981 - 3000
 USA Fax: (800) 2 - SAVAGE
 World Fax: (847) 981 - 3010

**MOBILE FIREMIXER-14
 OVERALL DIMENSIONS**

DWG. NUM. 2400-01-200

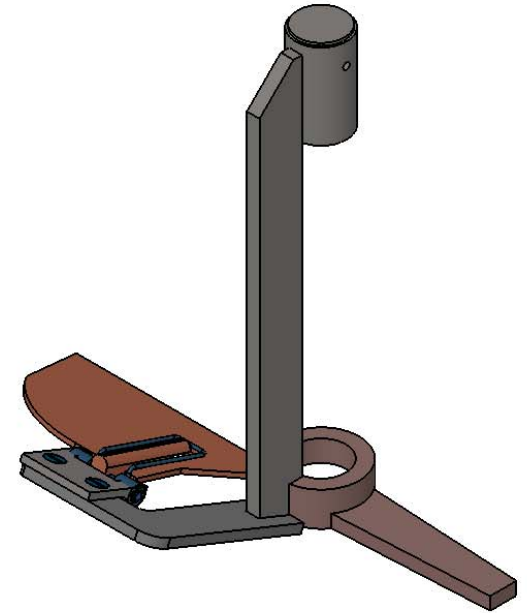
DRAWN BY	DATE	SCALE	SHEET
MP	02-06-06	SCALE: 1:18	1 OF 1



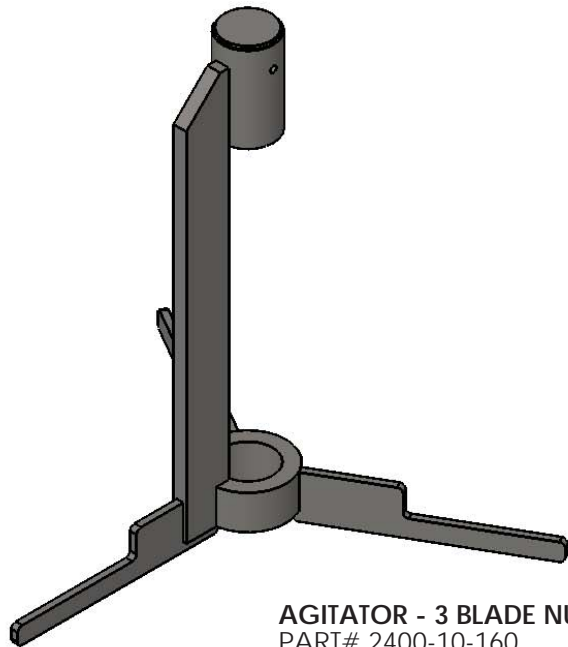
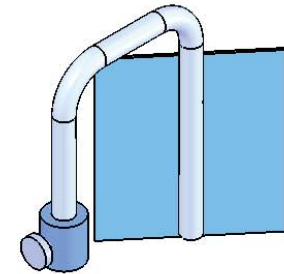
STANDARD AGITATOR
PART# 2400-10



AGITATOR WITH FIXED SCRAPER
PART# 2400-10-150



KIT - AGITATOR WITH BREAKER BAR
PART# 2400-10-203



AGITATOR - 3 BLADE NUT PLOW
PART# 2400-10-160

MAT.
AS PER PART
FIN. -

UNLESS OTHERWISE SPECIFIED
ALL DIMENSIONS ARE INCHES
TOLERANCES ARE
.X = ±.03
.XX = ±.01
.XXX = ±.005
ANGLES = ±0.5°
SURFACE FINISH = 125 MIC. IN
BREAK AND DEBURR ALL EDGES

DO NOT SCALE DRAWING

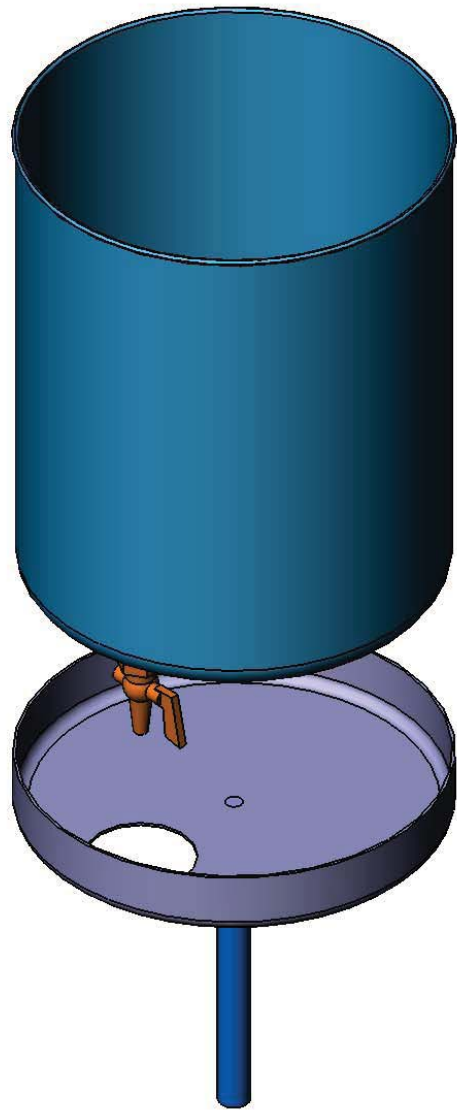


SAVAGE BROS. CO.
1125 W. Lunt Ave
Elk Grove Village, IL 60007 U.S.A.
Phone: (847) 981 - 3000
USA Fax: (800) 2 - SAVAGE
World Fax: (847) 981 - 3010

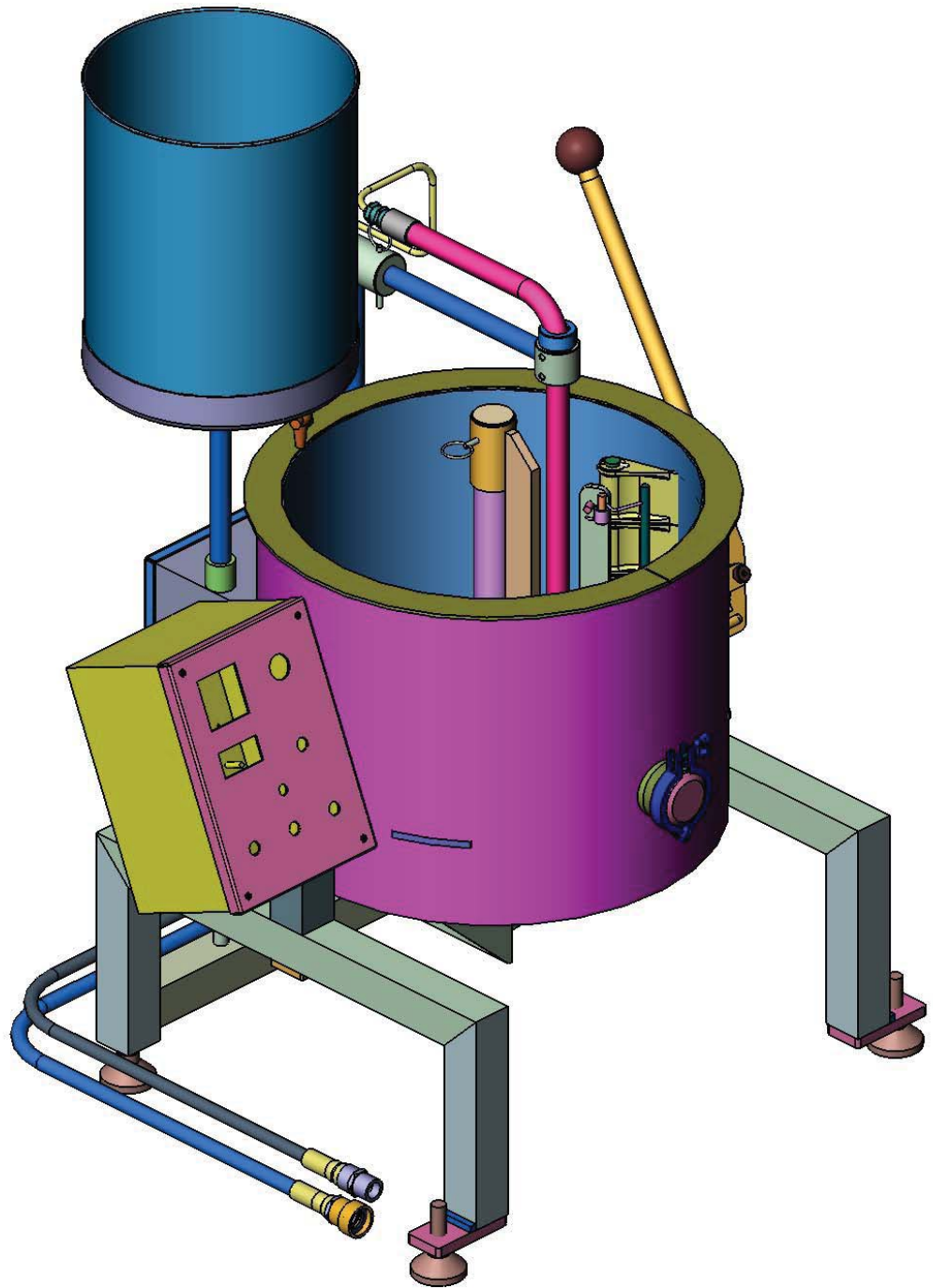
FIREMIXER-14
AGITATOR OPTIONS

DWG. NUM. **RD-FM14-AGITATOR_OPTIONS**

DRAWN BY	DATE	SCALE	SHEET
AS	04-17-08	SCALE: 1:4	1 OF 1



Savage Part# 2400-05-500



RD-50lb Cooker Cream Can Option



**SAVAGE
BROS. CO.**
S I N C E 1 8 5 5

1125 Lunt Avenue
Elk Grove Village, IL 60007-5023 USA



Phone: 847-981-3000
USA Fax: 800-2-SAVAGE
World Fax: +847-981-3010

E-mail: info@savagebros.com
Web: www.savagebros.com

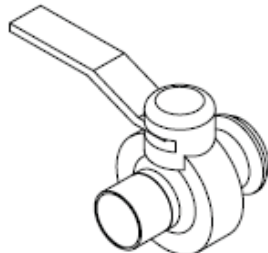
A 21st Century Company . . . with 19th Century Craftsmanship



Add valve to
outlet fitting

SANITARY PRODUCT DISPENSING VALVE FOR FireMixer 14 TABLE-TOP COOKER

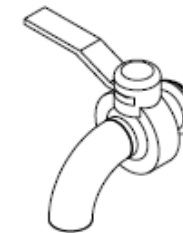
- For focused controlled dispensing rather than rapid tilting to pour batch
- Sanitary valve can be easily removed and disassembled for cleaning – clamp fittings
- We recommend Part 0900-01-214 with straight tube end – easiest to keep clean
- Valve with elbows more difficult to clean if product cools



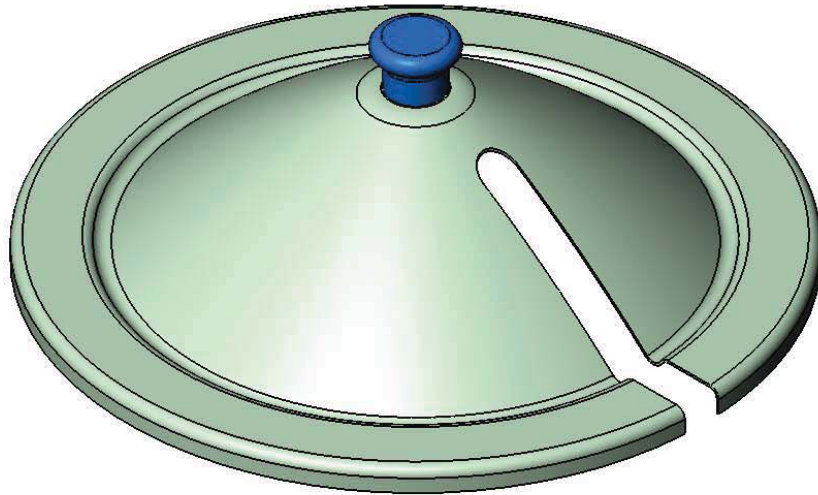
1-1/2" SANITARY MALE TO
1-1/2" TUBE 1" LONG
PART #: 0900-01-214



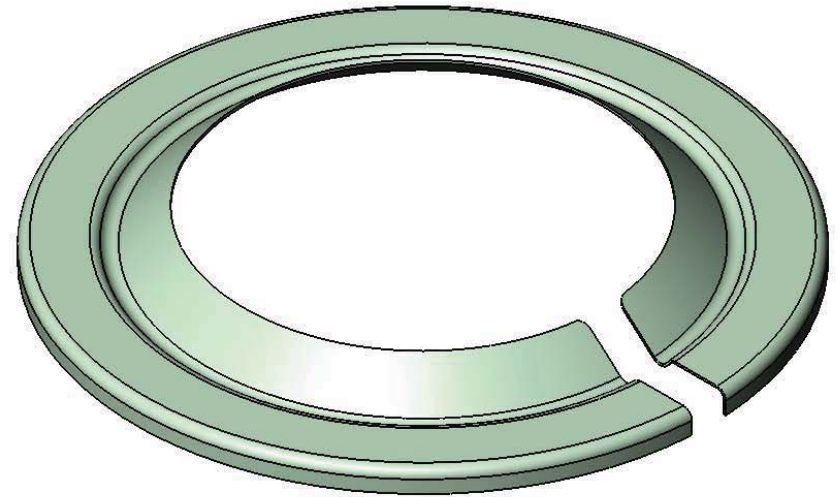
1-1/2" SANITARY MALE
TO SANITARY PRODUCT
DISPENSE
PART #: 0900-01-208



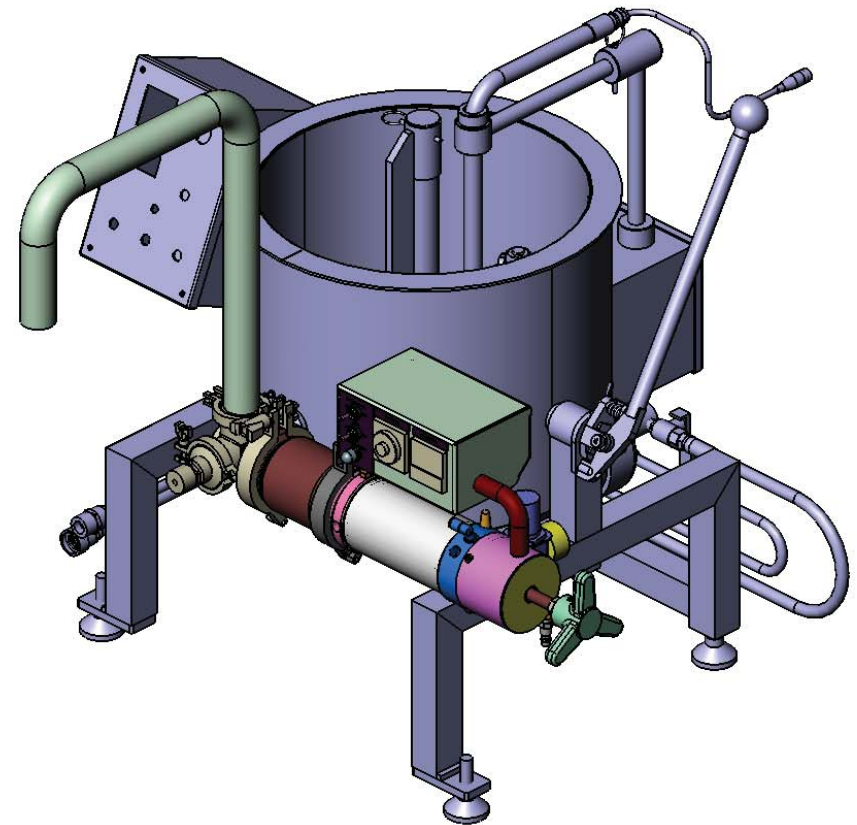
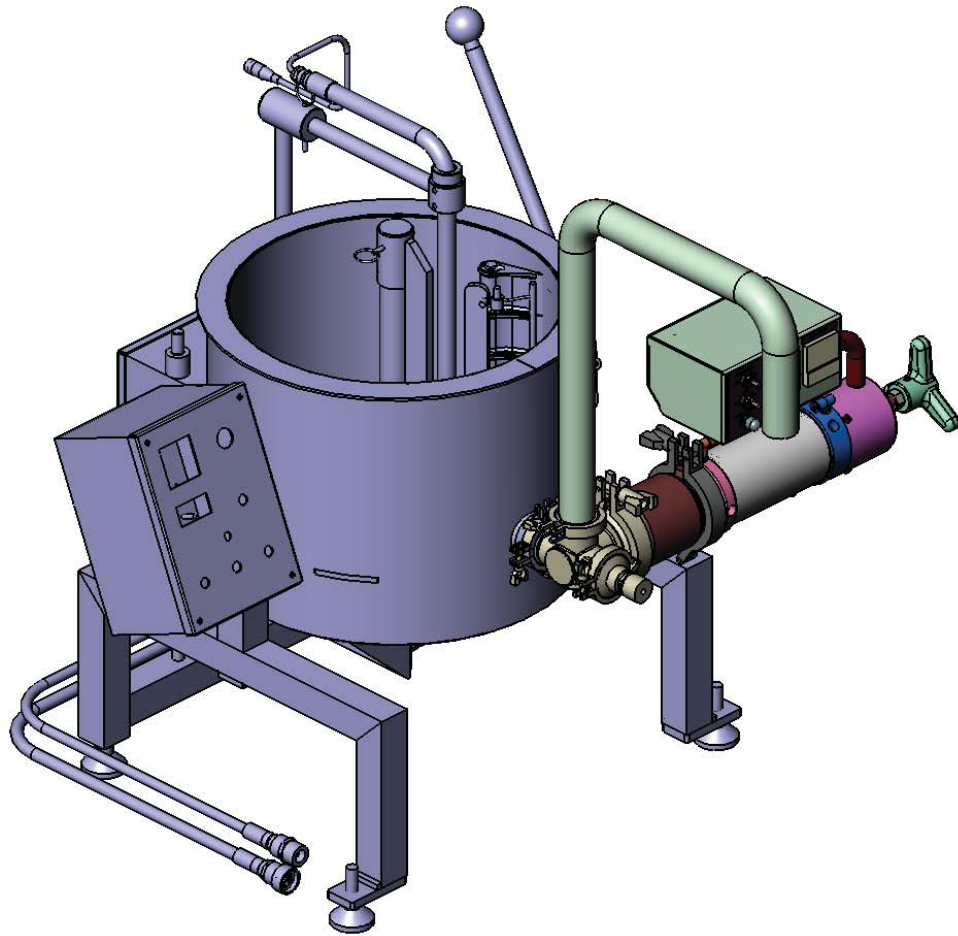
1-1/2" SANITARY MALE
TO SANITARY PRODUCT
DISPENSE - SHORT
PART #: 0900-01-218



FM14 COOKER
LID ASM
2400-01-100



FM14 COOKER
SPLASH LID
2400-01-101



MAT.
AS PER PART
FIN. -

UNLESS OTHERWISE SPECIFIED
ALL DIMENSIONS ARE INCHES
TOLERANCES ARE
.X = ±.03
.XX = ±.01
.XXX = ±.005
ANGLES = ±0.5°
SURFACE FINISH = 125 MIC. IN
BREAK AND DEBURR ALL EDGES

DO NOT SCALE DRAWING



SAVAGE BROS. CO.

1125 W. Lunt Ave
Elk Grove Village, IL 60007 U.S.A.
Phone: (847) 981 - 3000
USA Fax: (800) 2 - SAVAGE
World Fax: (847) 981 - 3010

**FM-14 TABLE TOP COOKER
WITH PUMP**

DWG. NUM. SD-Table Top Cooker with Pump

DRAWN BY	DATE	SCALE	SHEET
ML	04.06.06	SCALE: 1:8	1 OF 1